

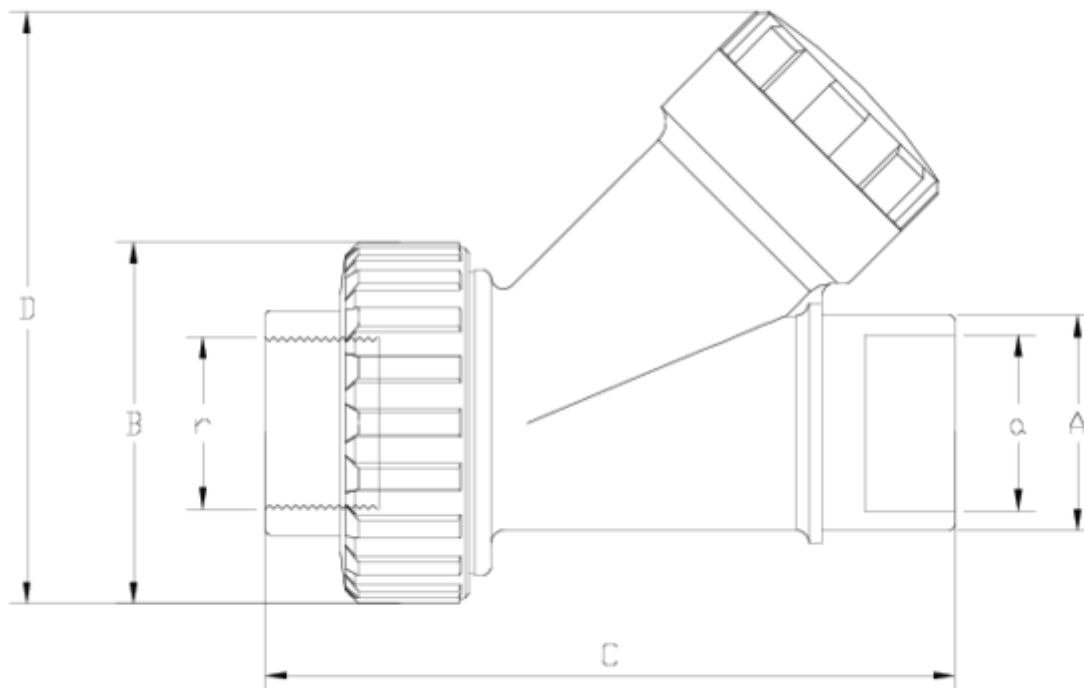


## "Ball" Check valve

# Check valve "Ball" solvent socket/female threaded outlet ITEM 685



REFERENCE	DESCRIPTION	Net weight	Volumen (m <sup>3</sup> )	Gross weight	Unidades lote
1022023	BALL CHECK V. PLAIN/FEMALE THR.32-1"	0.3671	0.022435	7.83	20
1022024	BALL CHECK V. PLAIN/FEMALE THR.40-1 1/4"	0.515487	0.022435	8.34	15
1022025	BALL CHECK V. PLAIN/FEMALE THR.50-1 1/2"	0.943213	0.04717	14.79	15
1022026	BALL CHECK V. PLAIN/FEMALE THR.63-2"	1.546	0.022435	6.68	4
1022027	BALL CHECK V. PLAIN/FEMALE THR.75-2 1/2"	2.4242	0.031294	10.27	4
1022028	BALL CHECK V. PLAIN/FEMALE THR.90-3"	3.9485	0.031294	8.47	2



## ITEM 685 | Check valve "Ball" solvent socket/female threaded outlet

C??DIGO	a-r	Peso (g)	DN	A	B	C	D	PN	TIPO ROSCA
22023	32-1"	342	25	40	72	140	127	PN10	BSP
22024	40-1 1/4"	534	32	50	88	161	145	PN10	BSP
22025	50-1 1/2"	855	40	63	103	183	170	PN10	BSP
22026	63-2"	1480	50	75	120	220	220	PN10	BSP
22027	75-2 1/2"	2415	65	90	150	255	255	PN10	BSP
22028	90=3"	3905	80	110	181	315	280	PN10	BSP



## Product Documents



## Product Certificates



## Company Certificates

