



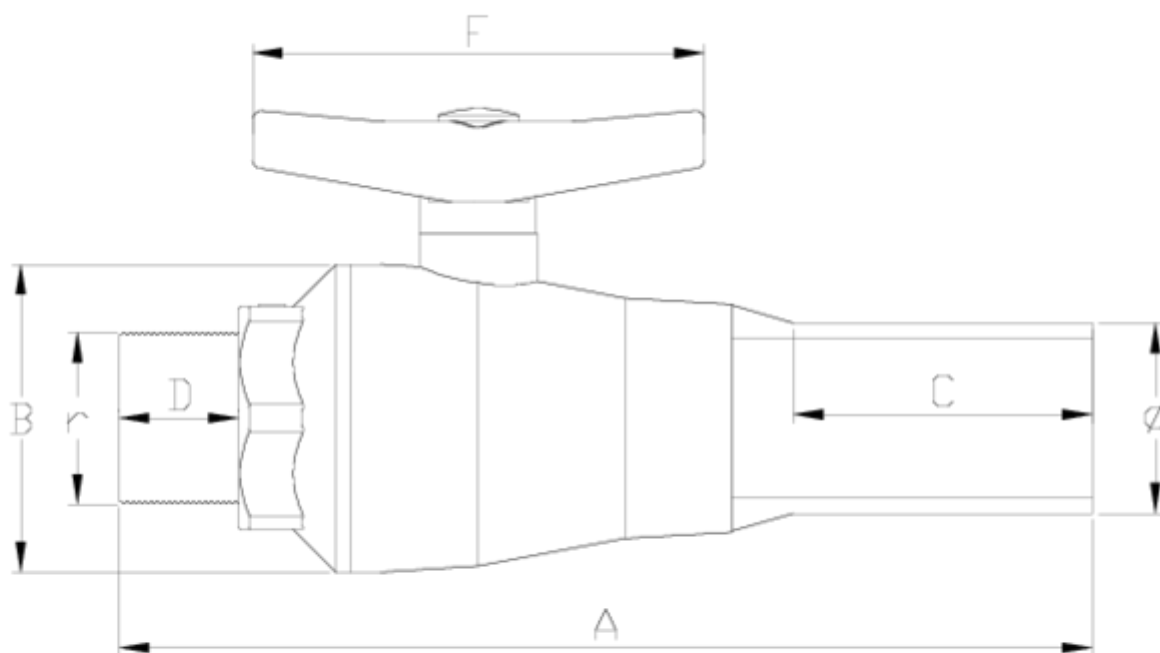
'Compact' ball valves

PE - male threaded outlet FPM

ITEM 723

REFERENCE	DESCRIPTION	Net weight	Volumen (m ³)	Gross weight	Unidades lote
111C150	VALVULA COMPACT R/M-PE 20-1/2" FPM	0,123	0,00892	2,6	20
111C151	VALVULA COMPACT R/M-PE 25-3/4" FPM	0,158	0,00892	3,3	20
111C152	VALVULA COMPACT R/M-PE 32-1" FPM	0,259	0,01553	4,155	15





ITEM 723 | PE - male threaded outlet FPM

CÓDIGO	Ø-r	DN	PESO (g)	A	B	C	D	F	PN	TIPO ROSCA
11C150	20-1/2"	15	123.13	180	48	65	14	80	PN10	BSP
11C151	25-3/4"	20	157.78	193	53	65	17	80	PN10	BSP
11C152	32-1"	25	259	216	59	70	19	101	PN10	BSP



Product Documents



Product Certificates

Company Certificates

