



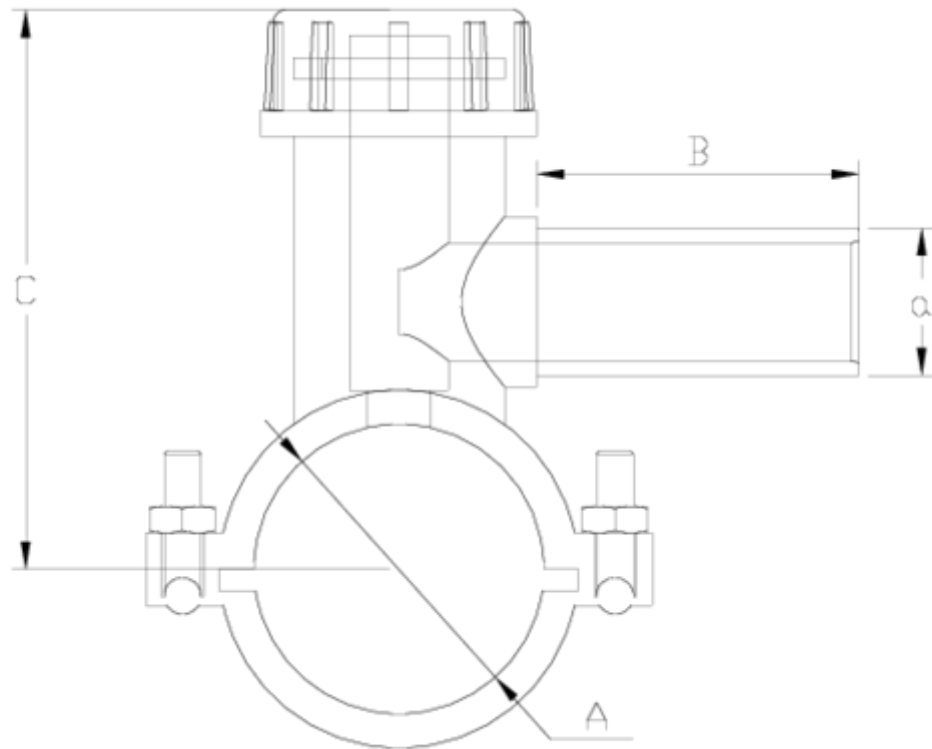
Electrofusion fittings/Welding fittings

Charged connection 360°

ITEM 423

| REFERENCE | DESCRIPTION | Net weight | Volumen (m ³) | Gross weight | Unidades lote |
|-----------|--------------------------------|------------|---------------------------|--------------|---------------|
| 1019240 | CHARGED CONNECTION 360° 63-32 | 0,2321 | 0,02244 | 1,88 | 6 |
| 1019241 | CHARGED CONNECTION 360° 63-63 | 1,4234 | 0,03129 | 7,69 | 5 |
| 1019242 | CHARGED CONNECTION 360° 90-32 | 0,646 | 0,02244 | 2,478 | 3 |
| 1019243 | CHARGED CONNECTION 360° 90-63 | 1,5014 | 0,03129 | 8,08 | 5 |
| 1019244 | CHARGED CONNECTION 360° 110-32 | 0,8408 | 0,02244 | 3,01 | 3 |
| 1019245 | CHARGED CONNECTION 360° 110-63 | 1,142433 | 0,02244 | 3,915 | 3 |





ITEM 423 | Charged connection 360°

| Código | f tubo-A-a | Peso (g) | B | C | PN | MEDIDA |
|--------|------------|----------|----|-----|------|---------|
| 19157 | 63-32 | 715 | 35 | 94 | PN16 | MÉTRICO |
| 19158 | 63-63 | 1455 | 54 | 94 | PN16 | MÉTRICO |
| 19159 | 90-32 | 801 | 35 | 115 | PN16 | MÉTRICO |
| 19160 | 90-63 | 1541 | 54 | 115 | PN16 | MÉTRICO |
| 19161 | 110-32 | 860 | 35 | 125 | PN16 | MÉTRICO |
| 19162 | 110-63 | 1590 | 54 | 125 | PN16 | MÉTRICO |



Product Documents



Product Certificates

Company Certificates

