



## Netvitc System pressure fittings

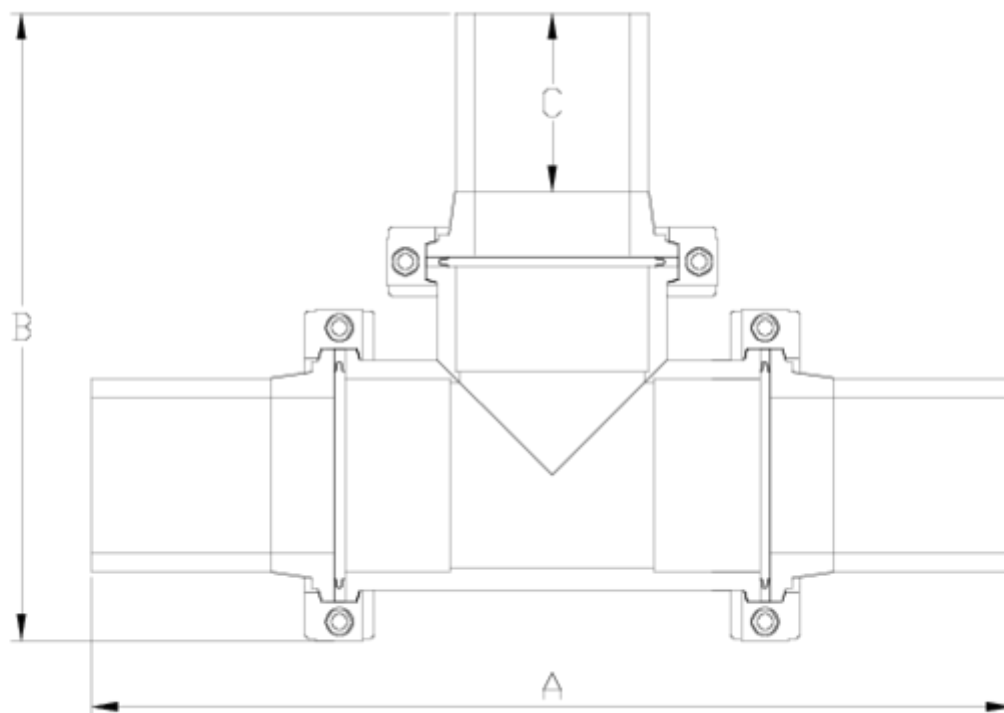
# GFPP Netvitc System 90° tee

## W/F

### ITEM 33N



REFERENCE	DESCRIPTION	Net weight	Volumen (m <sup>3</sup> )	Gross weight	Unidades lote
101N255	PP NETVITC SYSTEM 90° TEE W/F 63	1,23	0,01553	0	4
101N257	PP NETVITC SYSTEM 90° TEE W/F 90	2,93	0,06347	12,62	4
101N258	PP NETVITC SYSTEM 90° TEE W/F 110	4,14	0,06347	17,46	4
101N259	PP NETVITC SYSTEM 90° TEE W/F 125	5,7991	0,08678	12,62	2
101N261	PP NETVITC SYSTEM 90° TEE W/F 160	9,635	0,04836	10,475	1
101N262	PP NETVITC SYSTEM 90° TEE W/F 200	16,72	0,06150	17,7	1



## ITEM 33N | GFPP Netvitc System 90° tee W/F

CÓDIGO	f	PESO	BRIDA	A	B	C	PN	MEDIDA
1N255	63	1230	63	382	260.5	88	PN10	MÉTRICO
1N257	90	2930	90	489	327	103	PN10	MÉTRICO
1N258	110	4140	110	547	369	112	PN10	MÉTRICO
1N259	125	5925	125	576	388.5	108	PN10	MÉTRICO
1N260	140	6200	140	645	435	124	PN10	MÉTRICO
1N261	160	9635	160	685	477.5	127	PN10	MÉTRICO
1N262	200	16720	200	799	545	130	PN10	MÉTRICO



## Product Documents



## Product Certificates

## Company Certificates

