



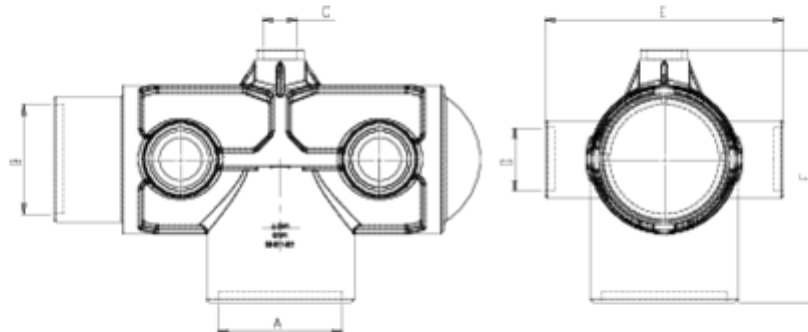
## PVC-U pressure fittings

# "hammer" manifold

## ITEM 988

REFERENCE	DESCRIPTION	Net weight	Volumen (m <sup>3</sup> )	Gross weight	Unidades lote
1001645		4.15	0.06347	8.690	2





## ITEM 988 | "hammer" manifold

Código	A	Peso (g)	B	C	D	E	F	PN	ROSCA
01645	125	4100	110	1"	63	240	253	PN10	BSP



## Product Documents



## Product Certificates



## Company Certificates

