

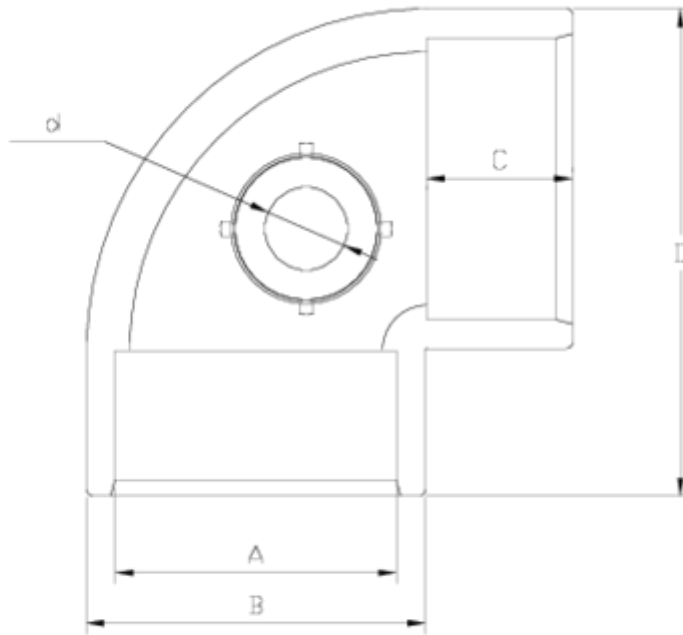


PVC-U pressure fittings

"AIR L" 90° elbow, solvent socket outlet ITEM 624



REFERENCE	DESCRIPTION	Net weight	Volumen (m ³)	Gross weight	Unidades lote
1001650	"AIR L" 90° ELBOW S. SOCKET OUTLET 50-20	0,144743	0,02244	4,83	30
1001651	"AIR L" 90° ELBOW S. SOCKET OUTLET 63-20	0,270733	0,03129	8,695	30
1001652	"AIR L" 90° ELBOW S. SOCKET OUTLET 75-20	0,472328	0,04717	12,45	25



ITEM 624 | "AIR L" 90° elbow, solvent socket outlet

Código	A	d	Peso (g)	B	C	D	PN	MEDIDA
01650	50	20	148	61	31	88	PN16	MÉTRICO
01651	63	20	235	76	38	109	PN16	MÉTRICO
01652	75	20	455	90	44	130	PN16	MÉTRICO



Product Documents



Product Certificates



Company Certificates

