

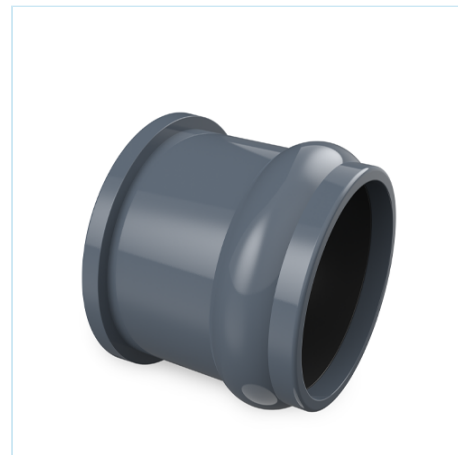


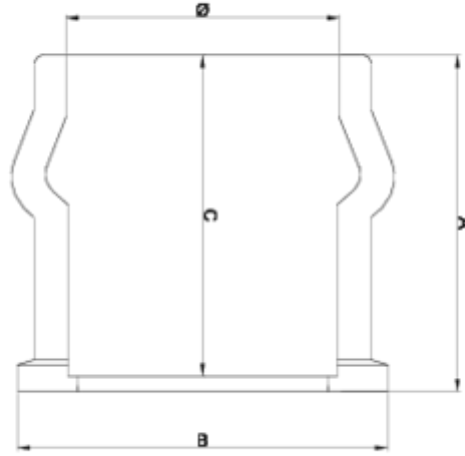
Netvitc System pressure fittings

SNS® rubber ring adaptor

ITEM 65N

REFERENCE	DESCRIPTION	Net weight	Volumen (m ³)	Gross weight	Unidades lote
101N766	SNS-RUBBER RING ADAPTOR 160	1,576	0,01782	3,56	2
101N767	SNS-RUBBER RING ADAPTOR 200	2,551	0,02243	3,078	1





ITEM 65N | SNS® rubber ring adaptor

CÓDIGO	Ø	PESO (g)	BRIDA SNS	A	B	C	PN	MEDIDA
1N766	160	1576	160	136	201	129	PN10	MÉTRICO
1N767	200	2551	200	145	250	141	PN10	MÉTRICO



Product Documents



Product Certificates

Company Certificates

