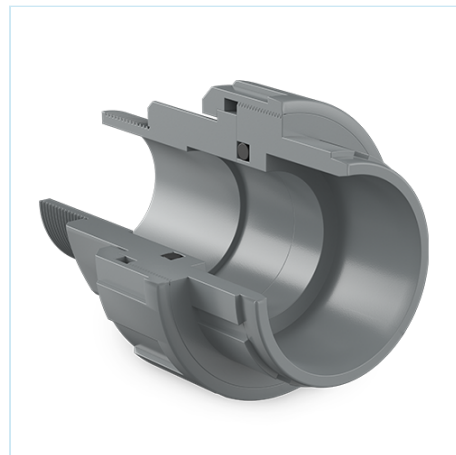


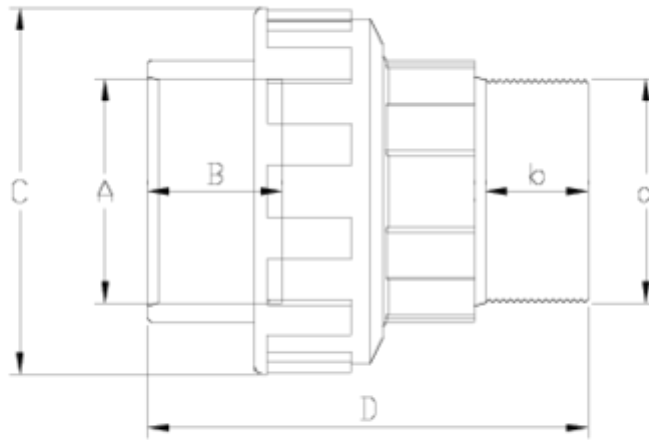


PVC-U pressure fittings

Union male thread socket plain ITEM 920

REFERENCE	DESCRIPTION	Net weight	Volumen (m ³)	Gross weight	Unidades lote
1002358	UNION,MALE THREAD SOCKET PLAIN 32-1"	0,114	0,00891	2,92	24
1002360	UNION, PLAIN SOCKET-MALE THREAD 50-1 1/2"	0,236	0,08677	16,78	60
1002361	UNION, PLAIN SOCKET-MALE THREAD 63-2"	0,3782	0,04460	9,77	24





ITEM 920 | Union male thread socket plain

Código	a-A	Peso (g)	B	b	C	D	PN	ROSCA
02358	1"-32	98	22	19	62	72	PN10	BSP
02360	1 1/2"-50	258	31	21	80	98	PN10	BSP
02361	2"-63	409	38	26	99	120	PN10	BSP



Product Documents



Product Certificates



Company Certificates

