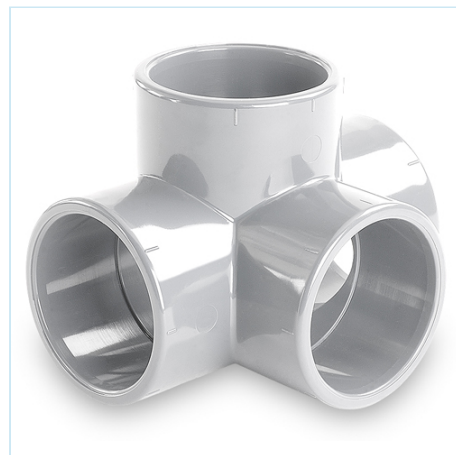


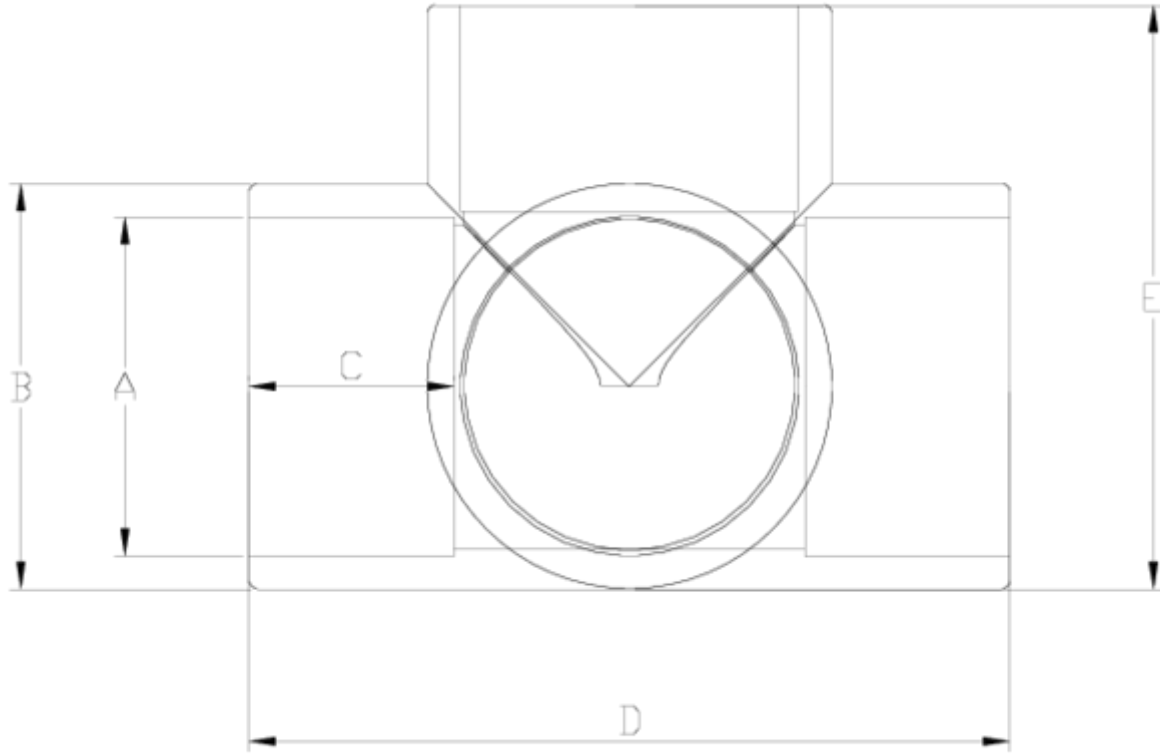


PVC pressure fittings

90° TEE SOLVENT SOCKET 4V - WHITE RANGE ITEM 842

Ref.	Description	Net Weight	Vol. (m ³)	Gross Weight	Units Box
1001358	TE 90° ENCOLAR 4V - SERIE BLANCA 50	0.224	0.04717	7.36	30
1001359	TE 90° ENCOLAR 4V - SERIE BLANCA 63	0.386	0.06347	8.50	20





ITEM 842 | 90° TEE SOLVENT SOCKET 4V - WHITE RANGE

Código	A	Peso (g)	B	C	D	E	PN	MEDIDA
01358	50	212	61	31	114	88	PN16	MÉTRICO
01359	63	336	76	38	141	109	PN16	MÉTRICO



PRODUCT DOCUMENTS



PRODUCT CERTIFICATES

COMPANY CERTIFICATES

