

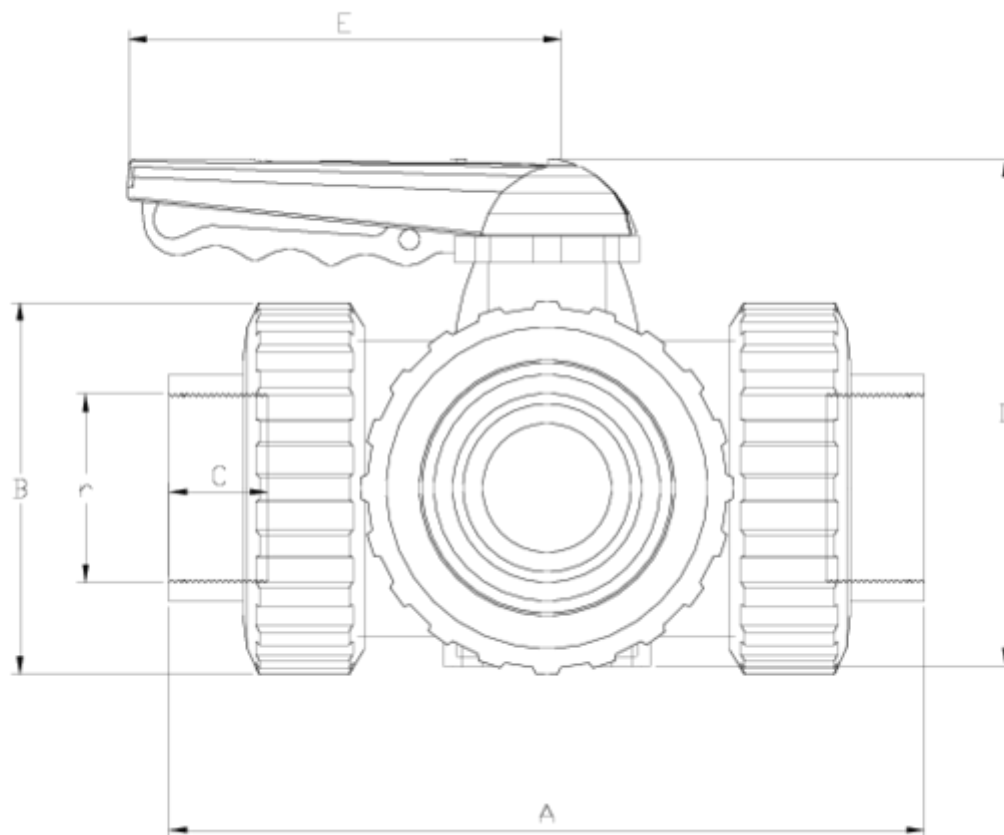


3-Way ball valve

THREADED FEMALE OUTLET ITEM 850

REFERENCE	DESCRIPTION	Net weight	Volumen (m ³)	Gross weight	Unidades lote
111V013	3 WAY V. FEMALE THR. L PTFE 1"	0,681	0,03129	3,8579	4
111V015	3 WAY V. FEMALE THR. L PTFE 1 1/2"	1,698	0,04460	5,25	2
111V016	3 WAY V. FEMALE THR. L PTFE 2"	3,212	0,04460	7,154	2
111V017	3 WAY V. FEMALE THR. L PTFE 2 1/2"	4,956	0,04836	6,4951	1
111V053	3 WAY V. FEMALE THR. T PTFE 1"	0,678	0,03129	3,8459	4
111V055	3 WAY V. FEMALE THR.T PTFE 1 1/2"	1,7621	0,04460	5,34	2
111V056	3 WAY V. FEMALE THR.T PTFE 2"	2,6151	0,04460	7,046	2
111V057	3 WAY V. FEMALE THR.T PTFE 2 1/2"	5,1114	0,04836	6,6551	1





ITEM 850 | THREADED FEMALE OUTLET

PTFE	r	PESO (g)	DN	Modelo	A	B	C	D	E	PN	TIPO ROSCA
11V013	1"	736	25	L	162	72	23	121	114	PN16	BSP
11V015	1 1/2"	1731	40	L	210	103	33	155	140	PN16	BSP
11V016	2"	2618	50	L	261	120	29	172	140	PN16	BSP
11V017	2 1/2"	5113	65	L	322	150	33	218	160	PN10	BSP
11V053	1"	732	25	T	162	72	23	121	114	PN16	BSP
11V055	1 1/2"	1721	40	T	210	103	33	155	140	PN16	BSP
11V056	2"	2600	50	T	261	120	29	172	140	PN16	BSP
11V057	2 1/2"	5073	65	T	322	150	33	218	160	PN10	BSP





Product Documents



Product Certificates

Company Certificates

