



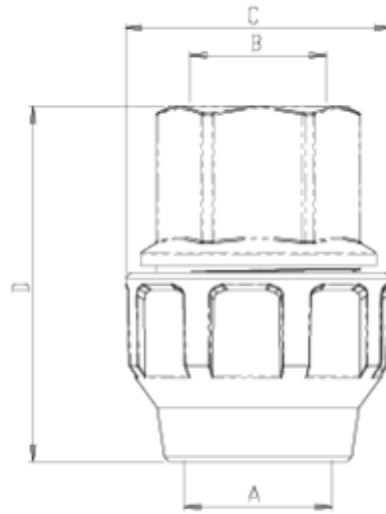
PP compression fittings

Adaptor with brass f/t insert

ITEM 994

REFERENCE	DESCRIPTION	Net weight	Volumen (m ³)	Gross weight	Unidades lote
112E682		0,2428	0,00891	1,4014	5
112E683		0,354	0,00891	1,9574	5
112E684		0,5449	0,00891	2,9119	5
112E685		0,9479	0,00891	2,0832	2
112E686		1,7031	0,01553	3,7329	2
112E687		2,4508	0,02243	5,3893	2





ITEM 994 | Adaptor with brass f/t insert

CÓDIGO	ØA	B	PESO (g)	C	D	PN	ROSCA
12E682	32	1"	215	65	93	PN16	BSP
12E683	40	1-1/4"	460	79	121	PN16	BSP
12E684	50	1-1/2"	550	95	128	PN16	BSP
12E685	63	2"	1030	117	156	PN16	BSP
12E686	75	2-1/2"	1380	135	170	PN10	BSP
12E687	90	3"	2350	160	204	PN10	BSP



Product Documents



Product Certificates

Company Certificates

