

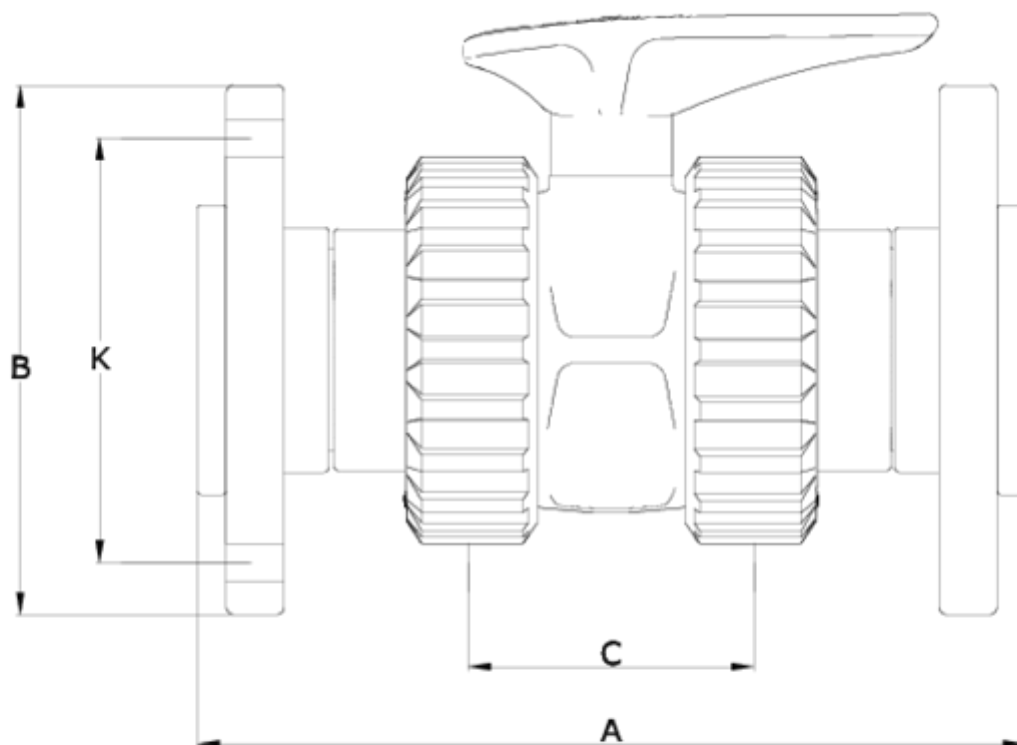


'Basic' ball valves

Flanges outlet - PTFE - Basic System ITEM 579



REFERENCE	DESCRIPTION	Net weight	Volumen (m ³)	contenido.peso bruto	Unidades lote
111B154	V E S/BRIDA 50 PTFE	1.412	0.06150	14.96	10
111B155	V E S/BRIDA 63 PTFE	2.058	0.03682	21.20	10
111B156	V E S/BRIDA 75 PTFE	3.840	0.04717	19.84	5
111B157	V E S/BRIDA 90 PTFE	5.760	0.02244	11.95	2
111B158	V E SIST IMPLEX S/BRIDA 110 PTFE	8.274	0.04460	17.21	2
111B194	V E S/BRIDA 75 DN 50 PTFE	2.542	0.03682	5.71	2
111B195	V E S/BRIDA 90 DN65 PTFE	4.360	0.03129	9.22	2
111B196	V E S/BRIDA 110 DN80 PTFE	6.689	0.02244	13.81	2
111B197	V E SIST IMPLEX S/BRIDA 125 DN100 PTFE	10.421	0.03682	10.97	1
111B198	V E SIST IMPLEX S/BRIDA 140 DN100 PTFE	10.421	0.03682	11.04	1



ITEM 579 | Flanges outlet - PTFE - Basic System

CÓDIGO	f	PESO (g)	DN	A	B	C	K	PN	MEDIDA
11B154	50	1412	40	218	150	77	110	PN16	MÉTRICO
11B155	63	2058	50	263	165	90	125	PN16	MÉTRICO
11B156	75	3840	65	312	185	121	145	PN10	MÉTRICO
11B157	90	5760	80	369	200	141	146-160	PN10	MÉTRICO
11B158	110	8274	100	434	220	155	178-190	PN10	MÉTRICO
11B194	75	2542	50	302	185	90	145	PN10	MÉTRICO
11B195	90	4360	65	360	200	121	146-160	PN10	MÉTRICO
11B196	110	6689	80	426	220	141	178-190	PN10	MÉTRICO
11B197	125	10420	100	458	230	155	190	PN10	MÉTRICO
11B198	140	10421	100	490	250	155	210-216	PN10	MÉTRICO



Pol. Ind. Plá Vallonga,
c/ Agua, 28
03006 ALICANTE (España)



+34 965 11 42 82



+34 965 11 48 62



tecnicocomercial@hidroten.es



Technical &
Commercial Service
+ 34 966 105 888



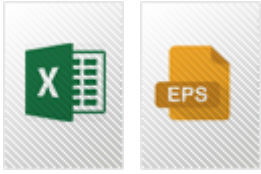
www.hidroten.es



ITEM 579 | Flanges outlet - PTFE - Basic System



Product Documents



Product Certificates

Company Certificates

