

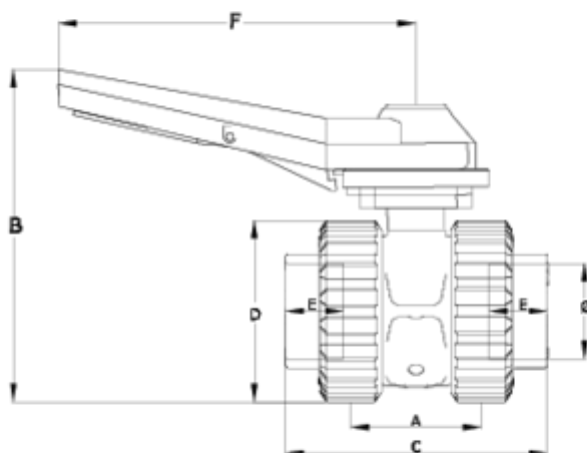


'Basic' ball valves

Solvent socket outlet - FPM - Catch handle system ITEM 234



| REFERENCE | DESCRIPTION | Net weight | Volumen (m ³) | Gross weight | Unidades lote |
|-----------|--|------------|---------------------------|--------------|---------------|
| 1011659 | FPM CATCH BALL V, S. SOCKET OUT. 63 | 1,2 | 0,03682 | 5,44 | 4 |
| 1011660 | FPM CATCH BALL V, S. SOCKET OUT. 75 | 3,08 | 0,03682 | 12,97 | 4 |
| 1011661 | FPM CATCH BALL V, S. SOCKET OUT. 90 | 4,694 | 0,03682 | 10,038 | 2 |
| 1011662 | FPM CATCH BALL V, S. SOCKET OUT. 110 | 5,3 | 0,04460 | 11,44 | 2 |
| 1011663 | FPM CATCH BALL V, S. SOCKET OUT. 75-90 | 3,287 | 0,03682 | 7,224 | 2 |
| 1011664 | FPM CATCH BALL V, S. SOCKET OUT. 90-110 | 4,935 | 0,03682 | 10,52 | 2 |
| 1011665 | FPM CATCH BALL V, S. SOCKET OUT. 125 DN100 | 5,76 | 0,03648 | 6,46 | 1 |
| 1011666 | FPM CATCH BALL V, S. SOCKET OUT. 140 | 6,82 | 0,03648 | 7,52 | 1 |
| 1011667 | FPM CATCH BALL V, S. SOCKET OUT. 125 | 8,9818 | 0,03682 | 9,531 | 1 |
| 1011668 | FPM CATCH HAND. BALL V, SOLV. S. 140 | 7,9 | 0,03682 | 8,55 | 1 |
| 1011669 | FPM CATCH BALL V, S. SOCKET OUT. 63-75 | 1,842 | 0,03682 | 4,334 | 2 |



ITEM 234 | Solvent socket outlet - FPM - Catch handle system

| CÓDIGO | f | DN | PESO (g) | A | B | C | D | E | F | PN | MEDIDA | | |
|--------|-----|-----|----------|-----|-----|-----|-----|-----|-----|------|---------|---------|----|
| 11759 | 63 | 50 | 1889.2 | 90 | 220 | 173 | 121 | 38 | 235 | PN16 | MÉTRICO | 1889.2 | No |
| 11760 | 75 | 65 | 3156 | 121 | 250 | 215 | 151 | 45 | 235 | PN10 | MÉTRICO | 3156 | No |
| 11761 | 90 | 80 | 4869 | 141 | 271 | 255 | 175 | 51 | 235 | PN10 | MÉTRICO | 4869 | No |
| 11762 | 110 | 100 | 6720.1 | 155 | 287 | 267 | 210 | 61 | 270 | PN10 | MÉTRICO | 6720.1 | No |
| 11763 | 125 | 113 | 8755.1 | 161 | 323 | 328 | 228 | 71 | 509 | PN10 | MÉTRICO | 8755.1 | No |
| 11889 | 125 | 113 | 10425.1 | 161 | 335 | 340 | 252 | 71 | 512 | PN10 | MÉTRICO | 10425.1 | Sí |
| 11890 | 140 | 125 | 13873.1 | 195 | 363 | 405 | 278 | 76 | 519 | PN10 | MÉTRICO | 13873.1 | No |
| 11883 | 160 | 150 | 18460 | 153 | 436 | 350 | 284 | 101 | 511 | PN10 | MÉTRICO | 18460 | No |
| 11769 | 75 | 50 | 1842 | 90 | 220 | 192 | 121 | 45 | 235 | PN10 | MÉTRICO | 1842 | No |







ITEM 234 | Solvent socket outlet - FPM - Catch handle system

| | | | | | | | | | | | | | |
|-------|-----|-----|---------|-----|-----|-----|-----|-----|-----|------|---------|---------|----|
| 11765 | 110 | 80 | 4935 | 141 | 271 | 286 | 175 | 61 | 235 | PN10 | MÉTRICO | 4935 | No |
| 11766 | 125 | 100 | 5760 | 155 | 287 | 312 | 210 | 71 | 270 | PN10 | MÉTRICO | 5760 | No |
| 11767 | 140 | 100 | 6820 | 155 | 287 | 326 | 210 | 71 | 270 | PN10 | MÉTRICO | 6820 | Si |
| 11768 | 140 | 113 | 8624 | 161 | 323 | 340 | 228 | 76 | 512 | PN10 | MÉTRICO | 8624 | No |
| 11840 | 160 | 125 | 14163.1 | 195 | 363 | 405 | 252 | 101 | 519 | PN10 | MÉTRICO | 14163.1 | No |



Product Documents



Product Certificates

Company Certificates

