

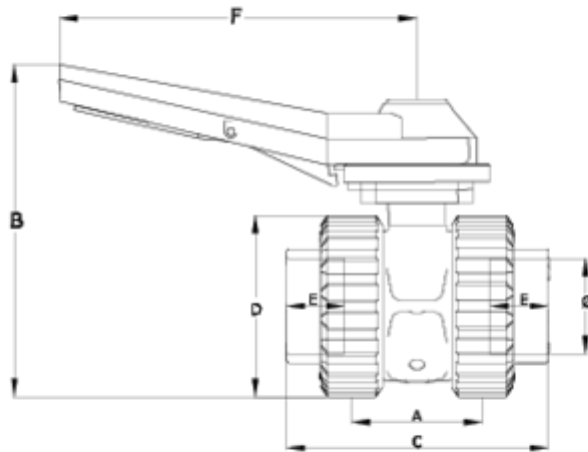


## 'Basic' ball valves

# Solvent socket outlet - PTFE - Catch handle system ITEM 230



REFERENCE	DESCRIPTION	Net weight	Volumen (m <sup>3</sup> )	Gross weight	Unidades lote
1011759	PTFE CATCH HANDLE BALL V. S. SOCKET OUT. 63	1,8892	0,03682	8,106	4
1011760	PTFE CATCH HANDLE BALL V. S. SOCKET OUT. 75	3,156	0,04717	13,26	4
1011761	PTFE CATCH HANDLE BALL V. S. SOCKET OUT. 90	4,869	0,03648	10,33	2
1011762	PTFE CATCH HANDLE BALL V. S. SOCKET OUT. 110	6,7201	0,04460	14,17	2
1011764	PTFE CATCH H. BALL V,S. SOCK/OUT 90 DN65	3,287	0,03682	7,204	2
1011765	PTFE CATCH H. BALL V,S. SOCK/OUT 110 DN80	5,2439	0,03682	11,037	2
1011766	PTFE CATCH H. BALL V,S. SOCK/OUT 125 DN100	7,771	0,03648	8,365	1
1011767	PTFE CATCH H. BALL V,S. SOCK/OUT 140 DN100	7,626	0,03648	8,22	1
1011768	PTFE BALL VALVE Ø140 DN 113 CATCH HANDLE	8.624	0.036816	9.24	1
1011769	PTFE CATCH HANDLE BALL V. S. SOCKET OUT. 63-75	1,842	0,03682	4,314	2
1011840	PTFE SNS® BALL VALVE Ø160 DN 125 CATCH HANDLE	14.1631	0.06347	14.95	1
1011889	PTFE NETVITC SYSTEM BALL V. PLAIN 125, DN113	10.4251	0.044603	11.155	1



## ITEM 230 | Solvent socket outlet - PTFE - Catch handle system

CÓDIGO	f	DN	PESO (g)	A	B	C	D	E	F	PN	MEDIDA		
11759	63	50	1889.2	90	220	173	121	38	235	PN16	MÉTRICO	1889.2	No
11760	75	65	3156	121	250	215	151	45	235	PN10	MÉTRICO	3156	No
11761	90	80	4869	141	271	255	175	51	235	PN10	MÉTRICO	4869	No
11762	110	100	6720.1	155	287	267	210	61	270	PN10	MÉTRICO	6720.1	No
11763	125	113	8755.1	161	323	328	228	71	509	PN10	MÉTRICO	8755.1	No
11889	125	113	10425.1	161	335	340	252	71	512	PN10	MÉTRICO	10425.1	Sí
11890	140	125	13873.1	195	363	405	278	76	519	PN10	MÉTRICO	13873.1	No
11883	160	150	18460	153	436	350	284	101	511	PN10	MÉTRICO	18460	No
11769	75	50	1842	90	220	192	121	45	235	PN10	MÉTRICO	1842	No





## ITEM 230 | Solvent socket outlet - PTFE - Catch handle system

11765	110	80	4935	141	271	286	175	61	235	PN10	MÉTRICO	4935	No
11766	125	100	5760	155	287	312	210	71	270	PN10	MÉTRICO	5760	No
11767	140	100	6820	155	287	326	210	71	270	PN10	MÉTRICO	6820	Si
11768	140	113	8624	161	323	340	228	76	512	PN10	MÉTRICO	8624	No
11840	160	125	14163.1	195	363	405	252	101	519	PN10	MÉTRICO	14163.1	No



## Product Documents



## Product Certificates

## Company Certificates

