

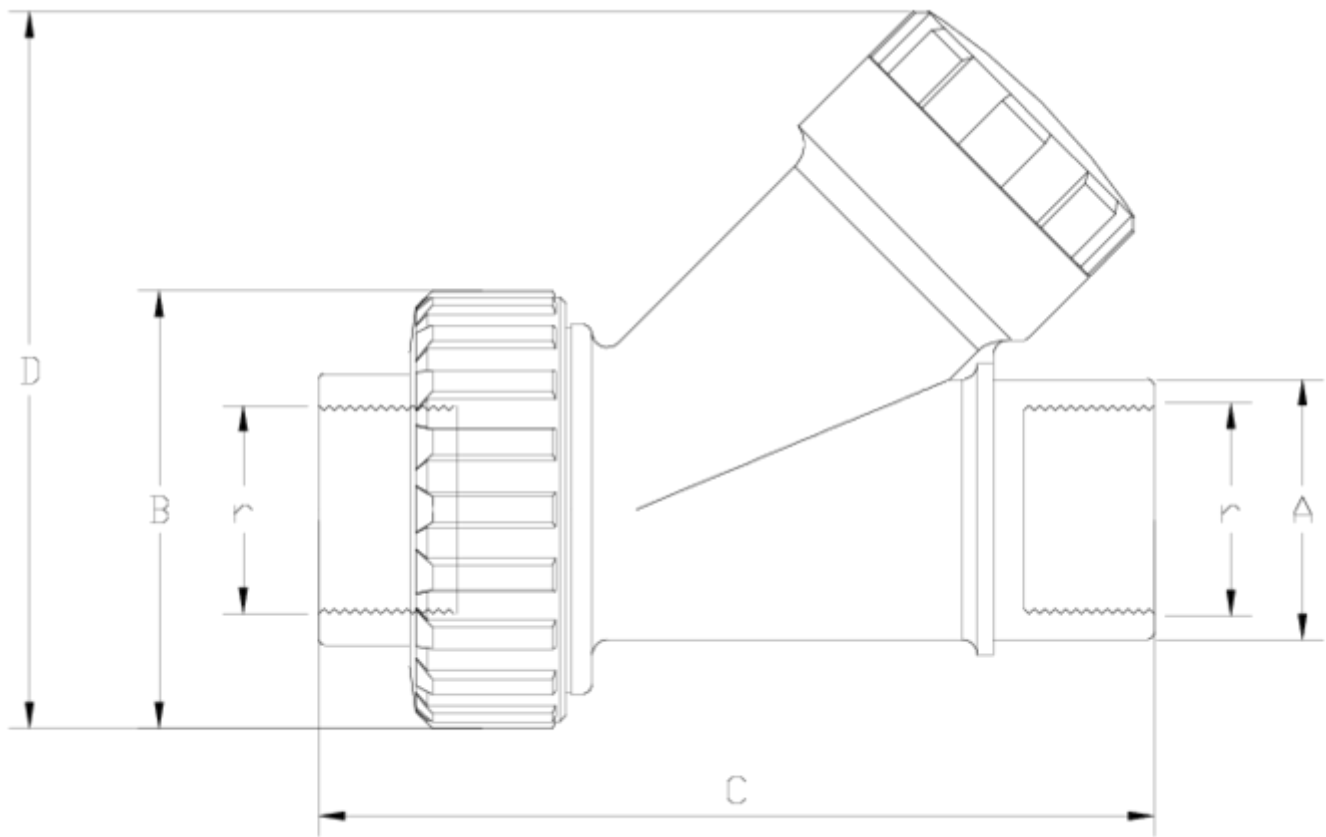


"Ball" Check valve

Check valve "Ball" female threaded outlet ITEM 636

REFERENCE	DESCRIPTION	Net weight	Volumen (m ³)	Gross weight	Unidades lote
1022013	BALL CHECK V. FEMALE THR.1"	0,361365	0,02244	7,715	20
1022014	BALL CHECK V. FEMALE THR.1 1/4"	0,5935	0,03129	9,4755	15
1022015	BALL CHECK V. FEMALE THR.1 1/2"	0,947453	0,04717	14,8536	15
1022016	BALL CHECK V. FEMALE THR.2"	1,556575	0,02244	6,714	4
1022017	BALL CHECK V. FEMALE THR.2 1/2"	2,35295	0,03129	10,04	4
1022018	BALL CHECK V. FEMALE THR.3"	3,9222	0,03129	8,445	2





ITEM 636 | Check valve "Ball" female threaded outlet

CÓDIGO	r-A	Peso (g)	DN	A	B	C	D	PN	TIPO ROSCA
22013	1"	348	25	40	72	140	127	PN10	BSP
22014	1 1/4"	535	32	50	88	161	145	PN10	BSP
22015	1 1/2"	872	40	63	103	183	170	PN10	BSP
22016	2"	1510	50	75	120	220	220	PN10	BSP
22017	2 1/2"	2450	65	90	150	255	255	PN10	BSP
22018	3"	3935	80	110	181	315	280	PN10	BSP



Product Documents



Product Certificates



Company Certificates

