



Clamp saddles

Double clamp saddle 4 screws

ITEM 132

REFERENCE	DESCRIPTION	Net weight	Volumen (m ³)	contenido.peso bruto	Unidades lote
1003117	COLLARIN TOMA DOBLE 110-1/2"	0.526	0.06347	21.80	25
1003121	COLLARIN TOMA DOBLE 125-1/2"	0.604	0.06150	17.89	28
1003145	COLLARIN TOMA DOBLE 50-1 1/4"	0.295	0.02244	13.82	45
1003210	COLLARIN TOMA DOBLE 63-1/2"	0.263	0.04117	16.82	60
1003211	COLLARIN TOMA DOBLE 63-3/4"	0.263	0.04117	16.87	60
1003212	COLLARIN TOMA DOBLE 63-1"	0.294	0.06149	18.72	60
1003213	COLLARIN TOMA DOBLE 63-1 1/4"	0.326	0.06347	20.64	60
1003214	COLLARIN TOMA DOBLE 63-1 1/2"	0.314	0.04880	19.61	60
1003215	COLLARIN TOMA DOBLE 75-1/2"	0.359	0.04460	20.18	35
1003216	COLLARIN TOMA DOBLE 75-3/4"	0.336	0.04460	18.92	35
1003217	COLLARIN TOMA DOBLE 75-1"	0.351	0.06150	13.28	35
1003218	COLLARIN TOMA DOBLE 75-1 1/4"	0.378	0.06150	21.46	35
1003219	COLLARIN TOMA DOBLE 75-1 1/2"	0.382	0.06150	21.65	35
1003220	COLLARIN TOMA DOBLE 75-2"	0.457	0.06150	22.93	35
1003221	COLLARIN TOMA DOBLE 90-1/2"	0.366	0.04117	17.28	30
1003222	COLLARIN TOMA DOBLE 90-3/4"	0.379	0.04117	17.93	30
1003223	COLLARIN TOMA DOBLE 90-1"	0.381	0.06150	12.39	30
1003224	COLLARIN TOMA DOBLE 90-1 1/4"	0.427	0.06150	13.77	30
1003225	COLLARIN TOMA DOBLE 90-1 1/2"	0.421	0.06150	13.61	30
1003226	COLLARIN TOMA DOBLE 90-2"	0.478	0.06150	15.25	30
1003227	COLLARIN TOMA DOBLE 110-3/4"	0.478	0.06347	20.12	25
1003228	COLLARIN TOMA DOBLE 110-1"	0.487	0.06347	13.39	25
1003229	COLLARIN TOMA DOBLE 110-1 1/4"	0.523	0.08678	21.91	25





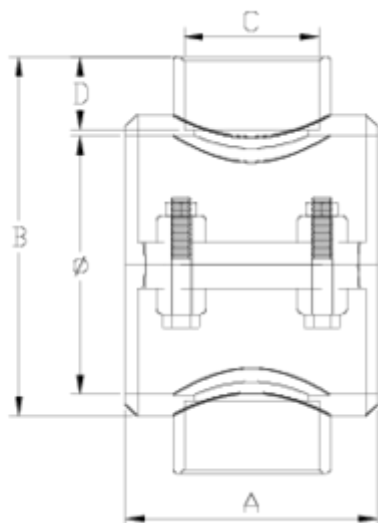
Clamp saddles

Double clamp saddle 4 screws

ITEM 132

REFERENCE	DESCRIPTION	Net weight	Volumen (m ³)	Gross weight	Unidades lote
1003230	COLLARIN TOMA DOBLE 110-1 1/2"	0.543	0.06347	22.74	25
1003231	COLLARIN TOMA DOBLE 110-2"	0.606	0.06347	20.22	20
1003232	COLLARIN TOMA DOBLE 110-2 1/2"	0.748	0.06347	23.57	20
1003233	COLLARIN TOMA DOBLE 125-3/4"	0.569	0.06150	16.93	28
1003234	COLLARIN TOMA DOBLE 125-1"	0.611	0.06150	18.10	28
1003235	COLLARIN TOMA DOBLE 125-1 1/4"	0.622	0.06150	18.51	28
1003236	COLLARIN TOMA DOBLE 125-1 1/2"	0.639	0.06150	18.89	28
1003237	COLLARIN TOMA DOBLE 125-2"	0.655	0.06150	19.28	25
1003238	COLLARIN TOMA DOBLE 125-2 1/2"	0.795	0.08678	20.87	25





ITEM 132 | Double clamp saddle 4 screws

Código	f tubo - C	Peso (g)	A	B	D	PN	TIPO ROSCA
03145	50 - 1 1/4"	323.68	70	123	23	PN16	BSP
03210	63 - 1/2"	265.44	70	115	16	PN16	BSP
03211	63 - 3/4"	264.32	70	115	17	PN16	BSP
03212	63 - 1"	273.28	70	123	21	PN16	BSP
03213	63 - 1 1/4"	280	70	123	23	PN16	BSP
03214	63 - 1 1/2"	293.44	70	123	31	PN16	BSP
03215	75 - 1/2"	355.04	85	135	16	PN10	BSP
03216	75 - 3/4"	346.08	85	130	17	PN10	BSP
03217	75 - 1"	352.8	85	135	21	PN10	BSP
03218	75 - 1 1/4"	368.48	85	139	23	PN10	BSP

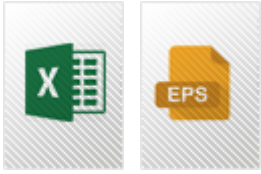


ITEM 132 | Double clamp saddle 4 screws

03219	75 - 1 1/2"	370.72	85	139	31	PN10	BSP
03220	75 - 2"	409.92	85	147	38	PN10	BSP
03221	90 - 1/2"	380.8	87	144	16	PN10	BSP
03222	90 - 3/4"	386.4	87	144	17	PN10	BSP
03223	90 - 1"	393.12	87	150	21	PN10	BSP
03224	90 - 1 1/4"	406.56	87	154	23	PN10	BSP
03225	90 - 1 1/2"	413.28	87	154	31	PN10	BSP
03226	90 - 2"	446.88	87	162	38	PN10	BSP
03117	110 - 1/2"	526.4	104	164	16	PN10	BSP
03227	110 - 3/4"	518.56	104	164	17	PN10	BSP
03228	110 - 1"	537.6	104	170	21	PN10	BSP
03229	110 - 1 1/4"	544.32	104	180	23	PN10	BSP
03230	110 - 1 1/2"	555.52	104	180	31	PN10	BSP
03231	110 - 2"	591.36	104	182	38	PN10	BSP
03232	110 - 2 1/2"	669.76	104	196	44	PN10	BSP
03121	125 - 1/2"	660.8	101	185	16	PN10	BSP
03233	125 - 3/4"	623.84	101	185	17	PN10	BSP
03234	125 - 1"	647.36	101	189	21	PN10	BSP
03235	125 - 1 1/4"	650.72	101	197	23	PN10	BSP
03236	125 - 1 1/2"	663.04	101	197	31	PN10	BSP
03237	125 - 2"	670.88	101	203	38	PN10	BSP
03238	125 - 2 1/2"	750.4	101	223	44	PN10	BSP



Product Documents



Product Certificates

Company Certificates

