



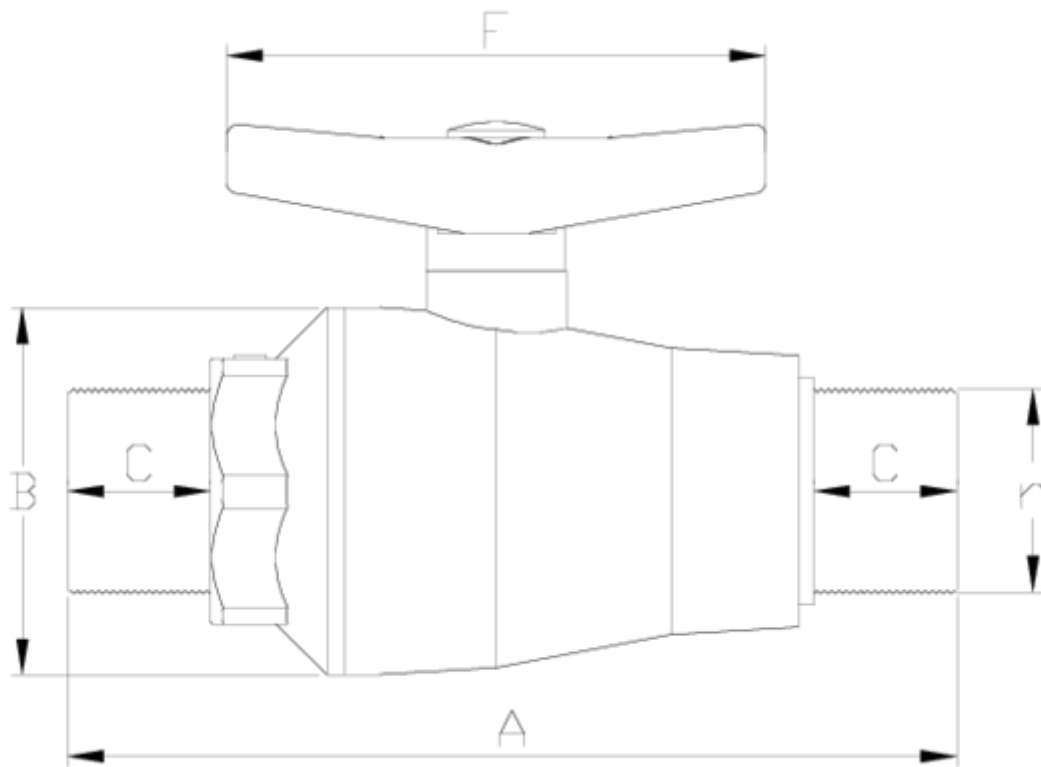
'Compact' ball valves

Male thread outlet FPM

ITEM 719

| REFERENCE | DESCRIPTION | Net weight | Volumen (m ³) | Gross weight | Unidades lote |
|-----------|----------------------------------------------|------------|---------------------------|--------------|---------------|
| 111C110 | GFPP COMP.B.VALV. M/THREADED OUTLET 1/2" FPM | 0,11 | 0,00892 | 2,2 | 20 |
| 111C111 | GFPP COMP.B.VALV. M/THREADED OUTLET 3/4" FPM | 0,141 | 0,00892 | 2,688 | 20 |
| 111C112 | GFPP COMP.B.VALV. M/THREADED OUTLET 1" FPM | 0,217 | 0,01553 | 4,11 | 15 |





ITEM 719 | Male thread outlet FPM

| CÓDIGO | r | DN | PESO (g) | A | B | C | F | PN | TIPO ROSCA |
|--------|------|----|----------|-----|----|----|-----|------|------------|
| 11C110 | 1/2" | 15 | 110 | 110 | 48 | 14 | 80 | PN10 | BSP |
| 11C111 | 3/4" | 20 | 141 | 123 | 53 | 17 | 80 | PN10 | BSP |
| 11C112 | 1" | 25 | 217 | 139 | 59 | 19 | 101 | PN10 | BSP |



Product Documents



Product Certificates

Company Certificates

