



## 'Compact' ball valves

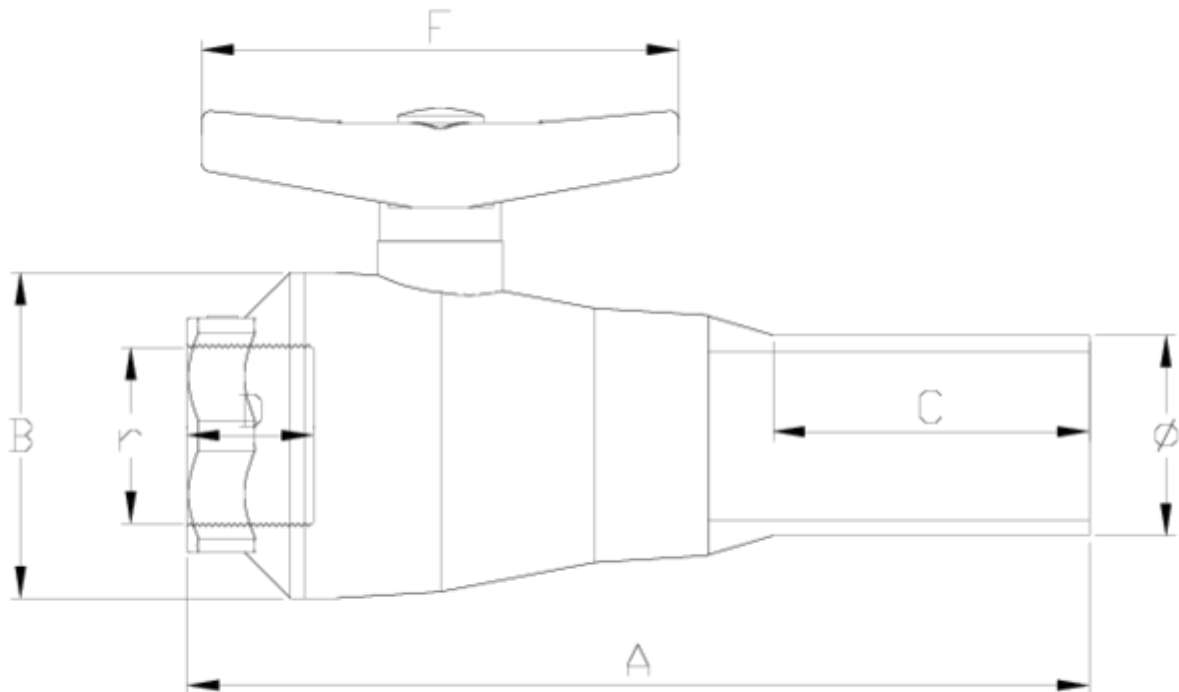
# PE female threaded outlet

# FPM

## ITEM 722



REFERENCE	DESCRIPTION	Net weight	Volumen (m <sup>3</sup> )	Gross weight	Unidades lote
111C140	VALVULA COMPACT R/H-PE 20-1/2" FPM	0,122	0,00892	2,52	20
111C141	VALVULA COMPACT R/H-PE 25-3/4" FPM	0,1717	0,00892	3,622	20
111C142	VALVULA COMPACT R/H-PE 32-1" FPM	0,25	0,01553	3,885	15
111C143	VALVULA COMPACT R/H-PE 40-1 1/4" FPM	0,381	0,02244	6,78	15
111C144	VALVULA COMPACT R/H-PE 50-1 1/2" FPM	0,566	0,02244	6,82	10
111C145	VALVULA COMPACT R/H-PE 63-2" FPM	1,016	0,01553	5,26	5



## ITEM 722 | PE female threaded outlet FPM

CÓDIGO	d-r	DN	PESO (g)	A	B	C	D	F	PN	TIPO ROSCA
11C140	20-1/2"	15	122	166	48	65	17	80	PN10	BSP
11C141	25-3/4"	20	149.38	178	53	65	20	80	PN10	BSP
11C142	32-1"	25	250	197	60	73	23	101	PN10	BSP
11C143	40-1 1/4"	32	381	222	74	81	26	130	PN10	BSP
11C144	50-1 1/2"	40	566	240	87	80	33	130	PN10	BSP
11C145	63-2"	50	1016	276	104	89	39	150	PN10	BSP



## Product Documents



## Product Certificates

## Company Certificates

