



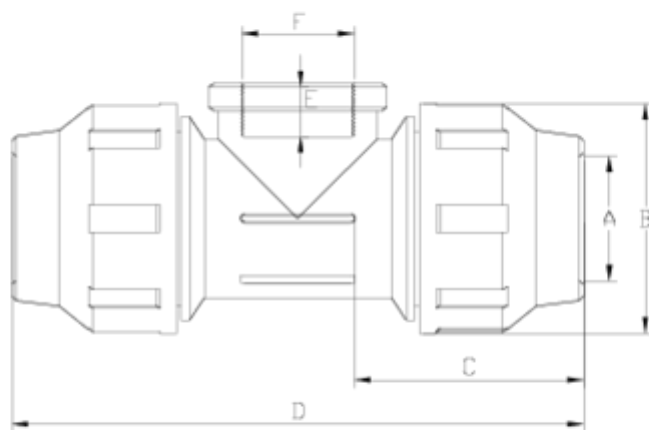
PP compression fittings

Tee, female threaded outlet

ITEM 487

REFERENCE	DESCRIPTION	Net weight	Volumen (m ³)	Gross weight	Unidades lote
112E057	TEE,FEMALE THREAD 20-1/2" GREY	0.094534	0.031294	9.005	90
112E058	TEE,FEMALE THREAD 25-3/4" GREY	0.148	0.047171	11.12	70
112E059	TEE,FEMALE THREAD 32-1" GREY	0.217	0.044603	11.461	50
112E060	TEE,FEMALE THREAD 40-1 1/4" GREY	0.38	0.048799	13.68	34
112E061	TEE,FEMALE THREAD 50-1 1/2" GREY	0.601	0.044603	12.85	20
112E062	TEE,FEMALE THREAD 63-2" GREY	1.069	0.04836	13.668	12
112E063	TEE, FEMALE THREAD 63-2" GREY	0	0.0446	0	16
112E149	TEE,FEMALE THREAD 20-3/4" GREY	0.085	0.031294	8.21	90
112E150	TEE,FEMALE THREAD 25-1/2" GREY	0.152	0.047171	11.4	70
112E151	TEE,FEMALE THREAD 32-1/2" GREY	0.217	0.044603	10.68	50
112E152	TEE,FEMALE THREAD 32-3/4" GREY	0.24	0.044603	12.83	50





ITEM 487 | Tee, female threaded outlet

Código	f tubo - F	Peso (g)	A	B	C	D	E	PN	TIPO ROSCA
12E057	20 - 1/2"	96	21	46	58	137	17	PN16	BSP
12E149	20 - 3/4"	95	21	46	58	137	19	PN16	BSP
12E150	25 - 1/2"	154	26	55	66	156	17	PN16	BSP
12E058	25 - 3/4"	149	26	55	66	156	20	PN16	BSP
12E151	32 - 1/2"	227	33	64	71	170	17	PN16	BSP
12E152	32 - 3/4"	223	33	64	71	170	21	PN16	BSP
12E059	32 - 1"	220	33	64	71	170	23	PN16	BSP
12E060	40 - 1 1/4"	350	42	76	84	208	25	PN16	BSP
12E061	50 - 1 1/2"	564	51	91	93	235	25	PN16	BSP
12E063	50 - 2"	612	51	91	93	235	29	PN16	BSP



ITEM 487 | Tee, female threaded outlet

12E062	63 - 2"	952	64	109	113	274	29	PN16	BSP
12E124	75 - 2 1/2"	1721	77	133	132	344	33	PN10	BSP
12E125	90 - 3"	2790	92	159	162	416	41	PN10	BSP
12E126	110 - 4"	4070	112	183	167	465	45	PN10	BSP



Product Documents



Product Certificates

Company Certificates

