



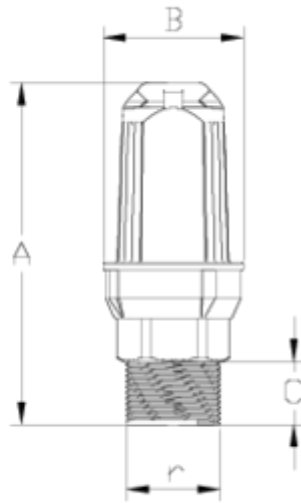
## Net air release valve

# Double effect "ECO"

## ITEM 915

REFERENCE	DESCRIPTION	Net weight	Volumen (m <sup>3</sup> )	Gross weight	Unidades lote
1017512	ECO AIR VALVE 3/4" PA DOUBLE EFFECT	0,09	0,01553	3,2067	32
1017513	ECO AIR VALVE 1" PA DOUBLE EFFECT	0,0986	0,01553	3,481	32





## ITEM 915 | Double effect "ECO"

Código	r	Peso (g)	A	B	C	Material	PN	TIPO ROSCA
17512	3/4"	99	120	50	19	PA	PN16	BSP
17513	1"	101	120	50	22	PA	PN16	BSP



## Product Documents



## Product Certificates

## Company Certificates

