

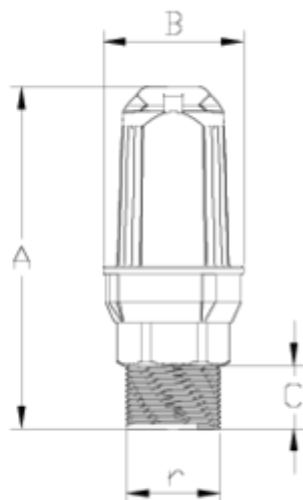


## Net air release valve

# Double effect "ECO" NPT ITEM 916

REFERENCE	DESCRIPTION	Net weight	Volumen (m <sup>3</sup> )	Gross weight	Unidades lote
1017510	ECO AIR VALVE 3/4" NPT PA DOUBLE EFFECT	0,089	0,01553	3,202	32
1017511	ECO AIR VALVE 1" NPT PA DOUBLE EFFECT	0,098228	0,01553	3,47	32





## ITEM 916 | Double effect "ECO" NPT

Código	r	Peso (g)	A	B	C	Material	PN	TIPO ROSCA
17510	3/4"	99	120	50	19	PA	PN16	NPT
17511	1"	101	120	50	22	PA	PN16	NPT



## Product Documents



## Product Certificates

## Company Certificates

