



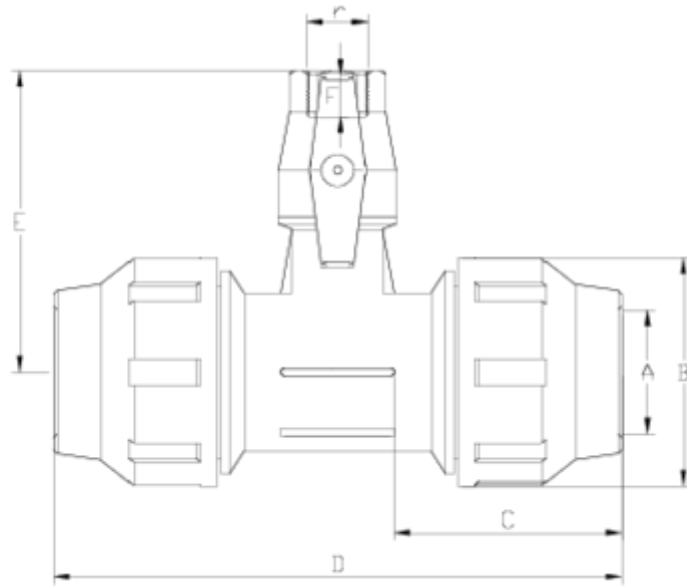
## PP compression fittings

# Fitting tee compact valve F/T outlet

## ITEM 899



REFERENCE	DESCRIPTION	Net weight	Volumen (m <sup>3</sup> )	Gross weight	Unidades lote
112E286	TE S/FITTING COMP R/H 32-20-1/2"-32 GRIS	0	0,02243	0	8
112E287	TE S/FITTING COMP R/H 32-25-3/4"-32 GRIS	0	0,02243	0	8
112E292	TE S/FITTING COMPACT R/H 63-25-3/4"-63 GRIS	1,216	0,06347	10,3931	8
112E293	TE S/FITTING COMPACT R/H 63-32-1"-63 GRIS	1,316	0,06347	11,179	8



## ITEM 899 | Fitting tee compact valve F/T outlet

Code	A - r - A	Weight (g)	B	C	D	E	F	PN	TIPO ROSCA
12E286	32 - 1/2"-32	320	64	70	170	114	17	PN16	BSP
12E287	32 - 3/4"-32	345	64	70	170	121	20	PN16	BSP
12E292	63 - 3/4"-63	1183	109	113	274	141	20	PN16	BSP
12E293	63-1"-63	1266	109	113	274	149	23	PN16	BSP



## Product Documents



## Product Certificates

## Company Certificates

