



Netvitc System pressure fittings

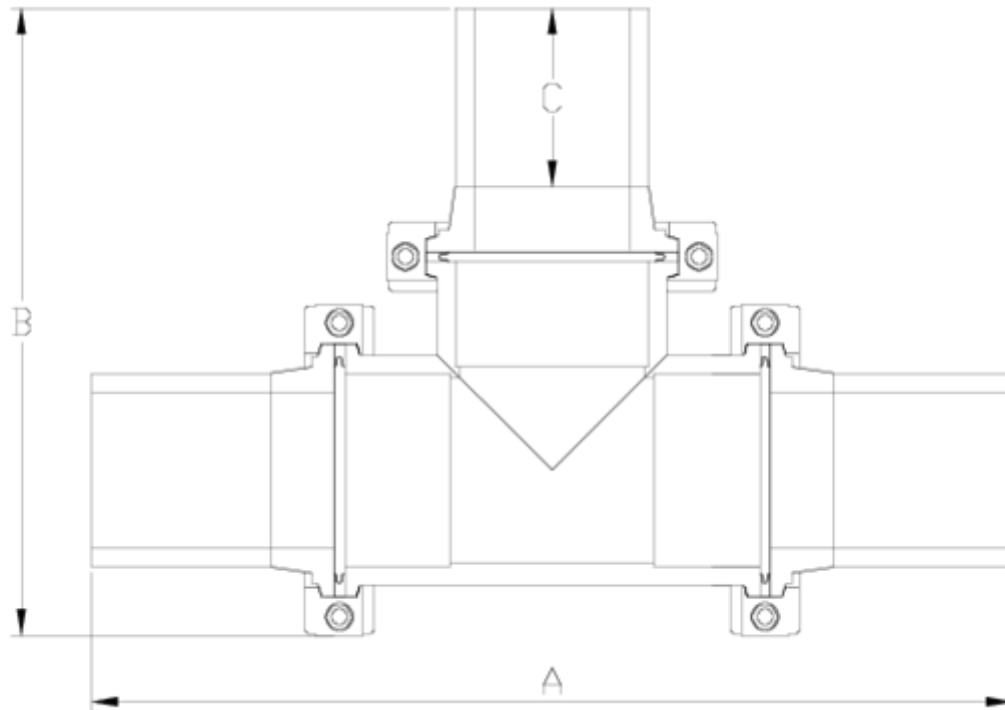
GFPP Netvitc System 90° tee

W/F

ITEM 33N

| REFERENCE | DESCRIPTION | Net weight | Volumen (m ³) | Gross weight | Unidades lote |
|-----------|-----------------------------------|------------|---------------------------|--------------|---------------|
| 101N255 | PP NETVITC SYSTEM 90° TEE W/F 63 | 1,23 | 0,01553 | 0 | 4 |
| 101N257 | PP NETVITC SYSTEM 90° TEE W/F 90 | 2,93 | 0,06347 | 12,62 | 4 |
| 101N258 | PP NETVITC SYSTEM 90° TEE W/F 110 | 4,14 | 0,06347 | 17,46 | 4 |
| 101N259 | PP NETVITC SYSTEM 90° TEE W/F 125 | 5,7991 | 0,08678 | 12,62 | 2 |
| 101N261 | PP NETVITC SYSTEM 90° TEE W/F 160 | 9,635 | 0,04836 | 10,475 | 1 |
| 101N262 | PP NETVITC SYSTEM 90° TEE W/F 200 | 16,72 | 0,06150 | 17,7 | 1 |





ITEM 33N | GFPP Netvitc System 90° tee W/F

| CÓDIGO | f | PESO | BRIDA | A | B | C | PN | MEDIDA |
|--------|-----|-------|-------|-----|-------|-----|------|---------|
| 1N255 | 63 | 1230 | 63 | 382 | 260.5 | 88 | PN10 | MÉTRICO |
| 1N257 | 90 | 2930 | 90 | 489 | 327 | 103 | PN10 | MÉTRICO |
| 1N258 | 110 | 4140 | 110 | 547 | 369 | 112 | PN10 | MÉTRICO |
| 1N259 | 125 | 5925 | 125 | 576 | 388.5 | 108 | PN10 | MÉTRICO |
| 1N260 | 140 | 6200 | 140 | 645 | 435 | 124 | PN10 | MÉTRICO |
| 1N261 | 160 | 9635 | 160 | 685 | 477.5 | 127 | PN10 | MÉTRICO |
| 1N262 | 200 | 16720 | 200 | 799 | 545 | 130 | PN10 | MÉTRICO |



Product Documents



Product Certificates

Company Certificates

