



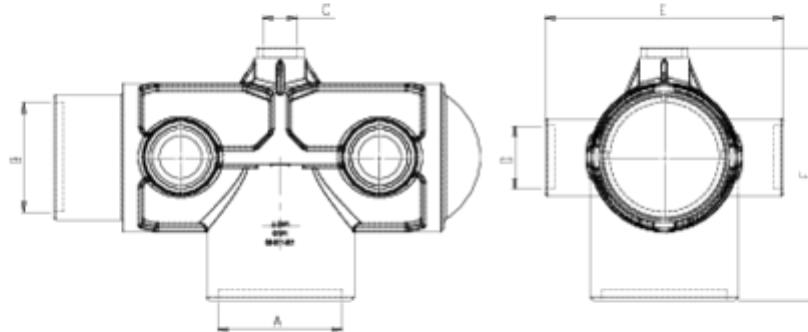
PVC-U pressure fittings

"hammer" manifold

ITEM 988

REFERENCE	DESCRIPTION	Net weight	Volumen (m ³)	Gross weight	Unidades lote
1001645		4.15	0.06347	8.690	2





ITEM 988 | "hammer" manifold

Código	A	Peso (g)	B	C	D	E	F	PN	ROSCA
01645	125	4100	110	1"	63	240	253	PN10	BSP



Product Documents



Product Certificates



Company Certificates

