



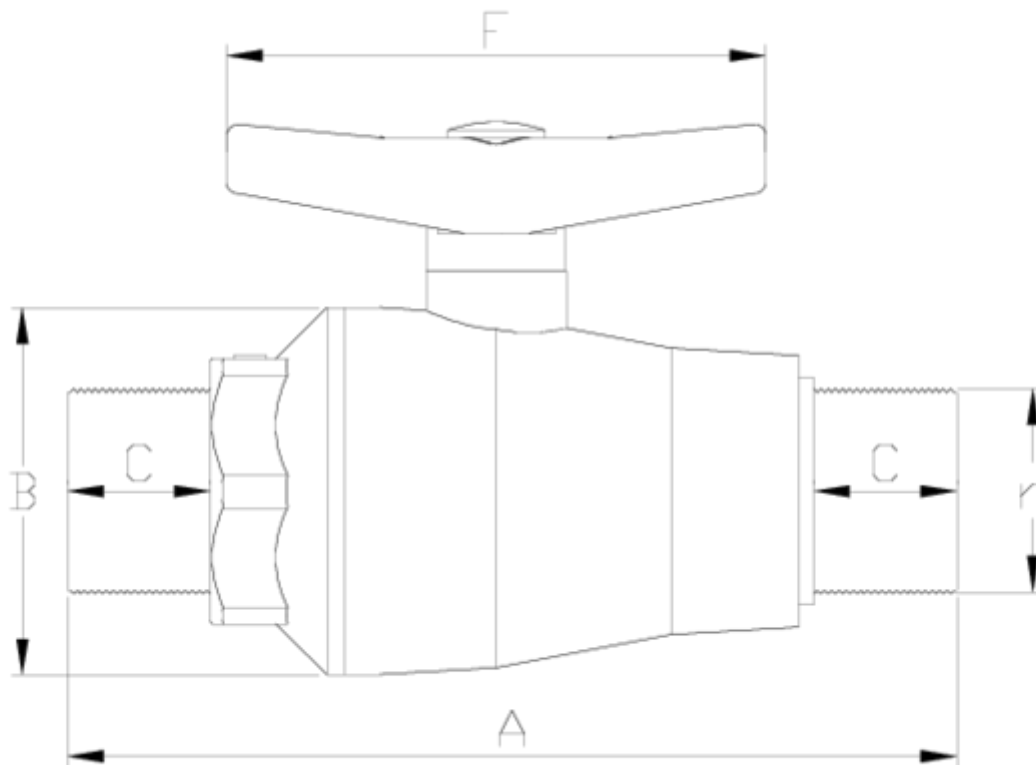
'Compact' ball valves

Male threaded outlet

ITEM 567

REFERENCE	DESCRIPTION	Net weight	Volumen (m ³)	Gross weight	Unidades lote
111C010	GFPP COMP.B.VALV. M/THREADED OUTLET 1/2"	0.10963	0.008918	2.43	20
111C011	GFPP COMP.B.VALV. M/THREADED OUTLET 3/4"	0.14188	0.008918	3.075	20
111C012	GFPP COMP.B.VALV. M/THREADED OUTLET 1"	0.217387	0.015532	3.625	15



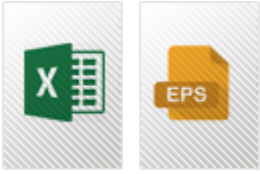


ITEM 567 | Male threaded outlet

CÓDIGO	r	DN	PESO (g)	A	B	C	F	PN	TIPO ROSCA
11C010	1/2"	15	116.9	110	48	14	80	PN16	BSP
11C011	3/4"	20	152.6	123	53	17	80	PN16	BSP
11C012	1"	25	257.6	139	59	19	101	PN16	BSP



Product Documents



Product Certificates

Company Certificates

