

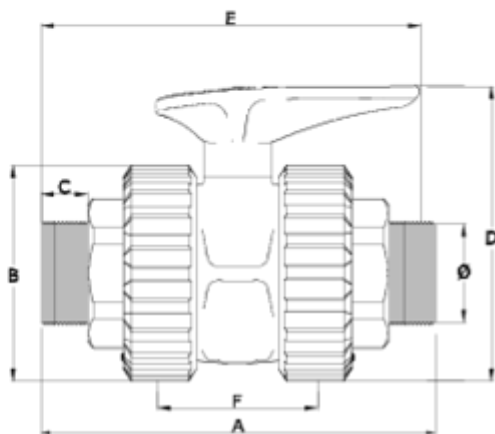


'Basic' ball valves

Male threaded outlet - FPM - Basic System ITEM 225

REFERENCE	DESCRIPTION	Net weight	Volumen (m ³)	Gross weight	Unidades lote
1011501	FPM BALL V. M. THREAD OUT. 1/2"	0,1848	0,02244	7,878	40
1011502	FPM BALL V. M. THREAD OUT. 3/4"	0,2333	0,02244	9,818	40
1011503	FPM BALL V. M. THREAD OUT. 1"	0,381	0,03682	12,03	30
1011504	FPM BALL V. M. THREAD OUT. 1 1/4"	0,70235	0,03129	14,62	20
1011505	FPM BALL V. M. THREAD OUT. 1 1/2"	0,956	0,03682	14,94	15
1011506	FPM BALL V. M. THREAD OUT. 2"	1,522	0,04717	15,968	10
1011507	FPM BALL V. M. THREAD OUT. 2 1/2"	2,976	0,03129	12,477	4
1011508	FPM BALL V. M. THREAD OUT. 3"	4,858	0,02243	10,2037	2





ITEM 225 | Male threaded outlet - FPM - Basic System

CÓDIGO	r	DN	PESO (g)	A	B	C	D	F	PN	TIPO ROSCA
11501	1/2"	15	173	118	52	14	78	47	PN16	BSP
11502	3/4"	20	226	130	59	16	84	51	PN16	BSP
11503	1"	25	381	160	70	19	97	66	PN16	BSP
11504	1 1/4"	32	658	176	84	21	128	72	PN16	BSP
11505	1 1/2"	40	956	197	99	22	142	77	PN16	BSP
11506	2"	50	1522	223	121	25	165	90	PN16	BSP
11507	2 1/2"	65	2976	284	151	31	222	121	PN10	BSP
11508	3"	80	4858	323	175	33	244	141	PN10	BSP



Product Documents



Product Certificates

Company Certificates

