



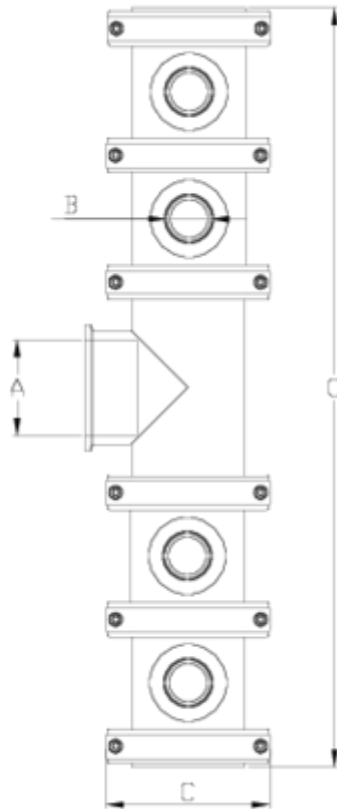
## Netvitc System® hydrants

# Single central piping Hydrant - Netvitc System connection ITEM 615



REFERENCE	DESCRIPTION	Net weight	Volumen (m <sup>3</sup> )	Gross weight	Unidades lote
11NH107	NET. SYS.SIMPLE EXTINGUISHER CENTRAL INPUT 90-2"	4,617	0,00000	4,617	1
11NH108	NET. SYS.SIMPLE EXTINGUISHER CENTRAL INPUT 110-1"	8,816	0,00000	8,816	1
11NH109	NET. SYS.SIM.EXTINGUISHER CENTRAL INPUT 110-1 1/4"	8,936	0,00000	8,936	1
11NH110	NET. SYS.SIM.EXTINGUISHER CENTRAL INPUT 110-1 1/2"	9,194	0,00000	9,194	1
11NH111	NET. SYS.SIM.EXTINGUISHER CENTRAL INPUT 110-2"	7,276	0,00000	7,276	1





## ITEM 615 | Single central piping Hydrant - Netvitec System connection

Código	ENTRADA - A	SALIDA - B	SALIDAS	Peso (g)	C	L	PN	TIPO ROSCA
1NH107	90	2"	3	4617	164	702	PN10	BSP
1NH108	110	1"	6	8476	188	1177	PN10	BSP
1NH109	110	1 1/4"	6	8596	188	1177	PN10	BSP
1NH110	110	1 1/2"	6	8854	188	1177	PN10	BSP
1NH111	110	2"	4	6980	188	874	PN10	BSP



## Product Documents



## Product Certificates

## Company Certificates

