



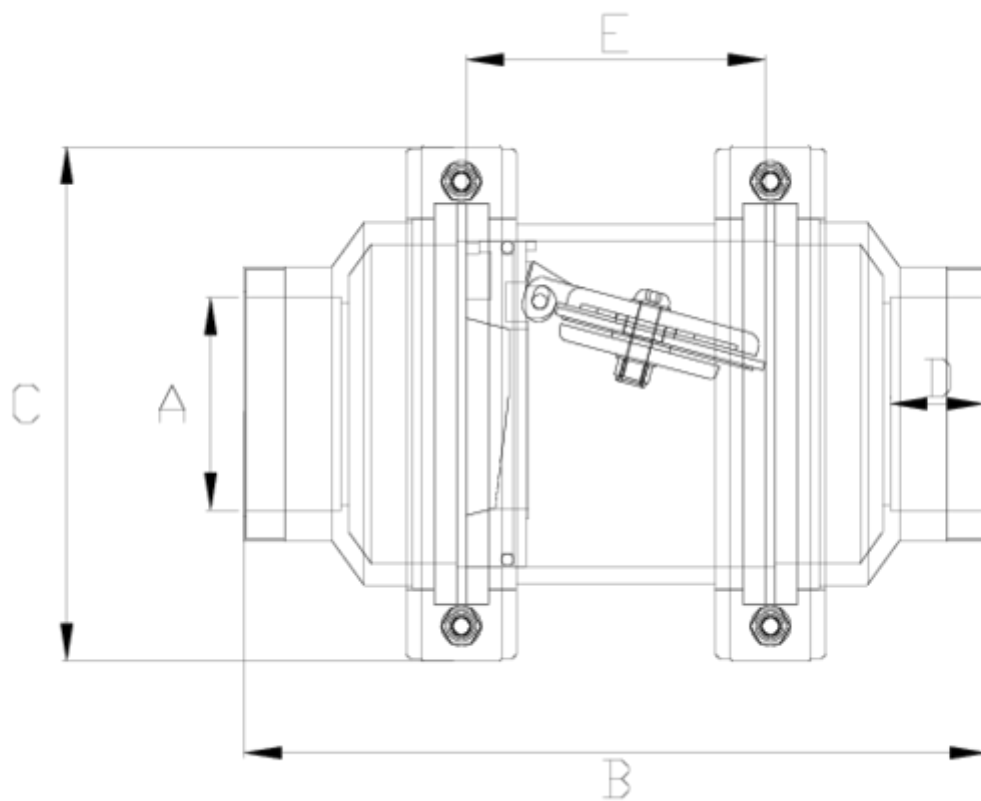
Netvitc System® lineal check valve

Female threaded outlet - GFPP body

ITEM 298



REFERENCE	DESCRIPTION	Net weight	Volumen (m ³)	Gross weight	Unidades lote
1015059	NETV. SYST. LINEAL CHECK V.,F.THR. 2 1/2"	3,254	0,01783	3,5	1
1015060	NETV. SYST. LINEAL CHECK V.,F.THR. 3"	3,0251	0,01783	3,28	1
1015061	NETV. SYST. LINEAL CHECK V.,F.THR. 4"	3,1201	0,02243	3,375	1
1015067	LINEAL CHECK V. FEMALE THREAD O. DN65 2"	0,7949	0,00473	0,912	1
1015069	LINEAL CHECK V. FEMALE THREAD O. DN125 2"	3,098	0,01783	3,3927	1



ITEM 298 | Female threaded outlet - GFPP body

CÓDIGO	f	PESOS	BRIDA	DN CUERPO	B	C	D	E	PN	TIPO ROSCA
15067	2"	827	63	50	178	125	38	70	PN10	BSP
15069	2"	3130	125	110	294	203	38	122	PN10	BSP
15059	2 1/2"	3050	125	110	294	203	30	122	PN10	BSP
15060	3"	2990	125	110	294	203	34	122	PN10	BSP
15061	4"	3185	125	110	294	203	44	122	PN10	BSP



Product Documents



Product Certificates

Company Certificates

