

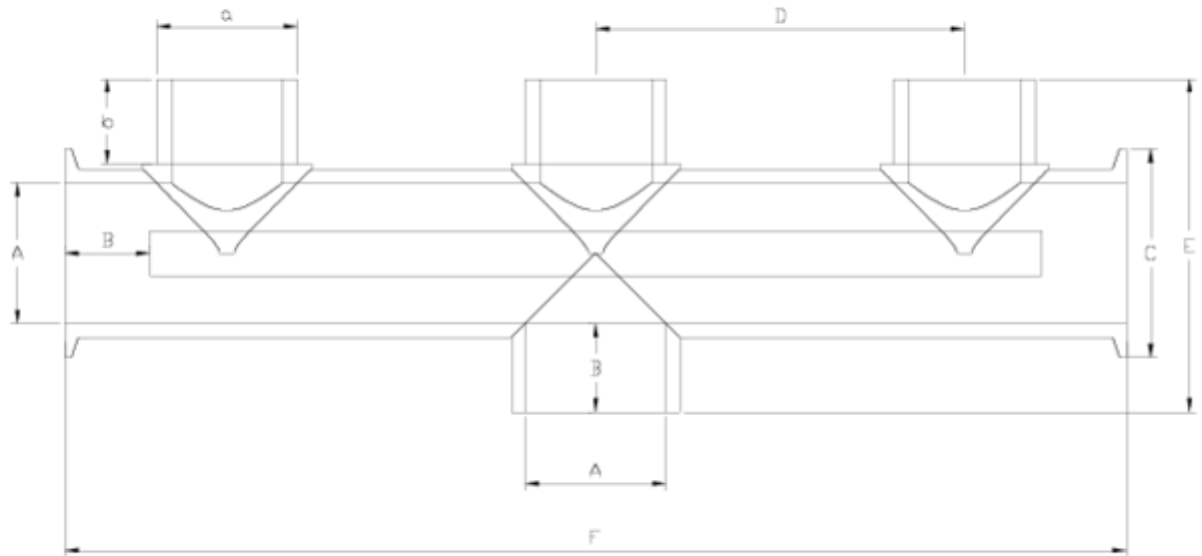


Netvitc System pressure fittings

COLECTOR 3 VÍAS NET SYST-NET SYST ITEM 839

REFERENCE	DESCRIPTION	Net weight	Volumen (m ³)	Gross weight	Unidades lote
101N892	3-WAY MANIFOLD SNS-SNS 50	0,677	0,02243	3,13	4
101N893	3-WAY MANIFOLD SNS-SNS 50-63	0,725	0,02243	3,33	4
101N894	3-WAY MANIFOLD SNS-SNS 63	1,1731	0,04460	5,3582	4





ITEM 839 | COLECTOR 3 VÍAS NET SYST-NET SYST

Código	a-A	Peso (g)	b	B	C	D	E	F	PN	MEDIDA
1N892	50	677	26	34	61	131	123	393	PN10	MÉTRICO
1N893	50-63	725	26	38*	61	131	128	393	PN10	MÉTRICO
1N894	63	1143	26	38	75	165	151	460	PN10	MÉTRICO



Product Documents



Product Certificates

Company Certificates

