

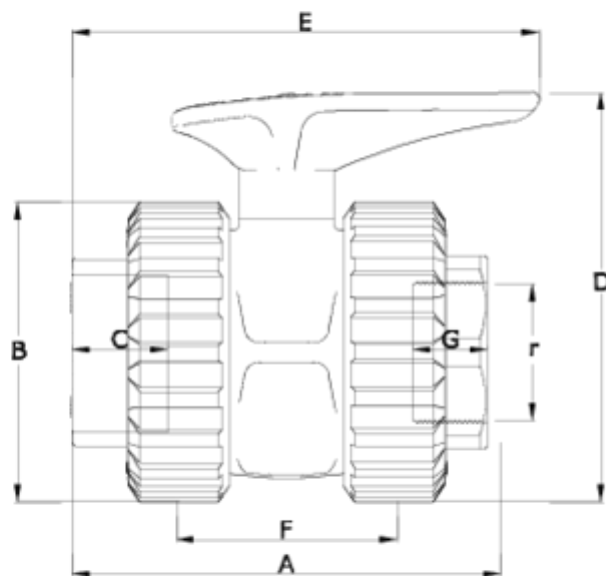


'Basic' ball valves

Plain/threaded outlet - FPM - Basic System ITEM 222



| REFERENCE | DESCRIPTION | Net weight | Volumen (m ³) | Gross weight | Unidades lote |
|-----------|---|------------|---------------------------|--------------|---------------|
| 1011277 | FPM BALL V, SOLV. S/FEM T.O. 110-4" | 5,99 | 0,04460 | 12,82 | 2 |
| 1011483 | FPM BALL V, SOLV. S/FEM T.O. 20-1/2" | 0,1654 | 0,01553 | 6,9427 | 40 |
| 1011484 | FPM BALL V, SOLV. S/FEM T.O. 25-3/4" | 0,2012 | 0,02244 | 8,659 | 40 |
| 1011485 | FPM BALL V, SOLV. S/FEM T.O. 32-1" | 0,370333 | 0,03129 | 11,683 | 30 |
| 1011486 | FPM BALL V, SOLV. S/FEM T.O. 20-1 1/4" | 0,61885 | 0,03129 | 12,95 | 20 |
| 1011487 | FPM BALL V, SOLV. S/FEM T.O. 50-1 1/2" | 0,8367 | 0,03129 | 13,145 | 15 |
| 1011488 | FPM BALL V, SOLV. S/FEM T.O. 63-2" | 1,4171 | 0,03682 | 14,72 | 10 |
| 1011489 | FPM BALL V, SOLV. S/FEM T.O. 75-2 1/2" | 2,699 | 0,03129 | 11,41 | 4 |
| 1011490 | FPM BALL VALVE SOLVENT S.-FEMALE T.O. 90-3" | 4,339 | 0,02244 | 9,29 | 2 |



ITEM 222 | Plain/threaded outlet - FPM - Basic System

| CÓDIGO | f-r | DN | PESO (g) | A | B | C | D | E | F | G | PN | TIPO ROSCA |
|--------|-----------|-----|----------|-----|-----|----|-----|-----|-----|----|------|------------|
| 11483 | 20-1/2" | 15 | 152 | 89 | 52 | 16 | 78 | 92 | 47 | 17 | PN16 | BSP |
| 11484 | 25-3/4" | 20 | 201 | 99 | 59 | 19 | 84 | 92 | 51 | 20 | PN16 | BSP |
| 11485 | 32-1" | 25 | 345 | 119 | 70 | 23 | 97 | 138 | 66 | 23 | PN16 | BSP |
| 11486 | 40-1 1/4" | 32 | 583 | 133 | 84 | 25 | 128 | 160 | 72 | 26 | PN16 | BSP |
| 11487 | 50-1 1/2" | 40 | 936 | 151 | 99 | 31 | 142 | 169 | 77 | 33 | PN16 | BSP |
| 11488 | 63-2" | 50 | 1348 | 167 | 121 | 38 | 165 | 188 | 90 | 29 | PN16 | BSP |
| 11489 | 75-2 1/2" | 65 | 2699 | 210 | 151 | 45 | 222 | 281 | 121 | 33 | PN10 | BSP |
| 11490 | 90-3" | 80 | 4339 | 245 | 175 | 51 | 244 | 301 | 141 | 36 | PN10 | BSP |
| 11277 | 110-4" | 100 | 5990 | 288 | 210 | 61 | 307 | 426 | 155 | 42 | PN10 | BSP |



Product Documents



Product Certificates

Company Certificates

