

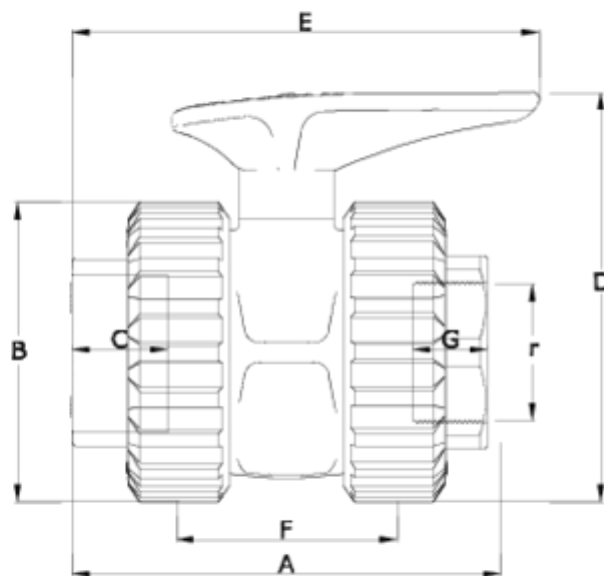


## 'Basic' ball valves

# Plain/threaded outlet - PTFE - Basic System ITEM 212

REFERENCE	DESCRIPTION	Net weight	Volumen (m <sup>3</sup> )	Gross weight	Unidades lote
1011160	PTFE BALL VALVE SOLV. S./FEM. THR. 20-1/2"	0,15	0,01553	6,24	40
1011161	PTFE BALL VALVE SOLV. S./FEM. THR. 25-3/4"	0,198	0,02244	8,46	40
1011162	PTFE BALL VALVE SOLV. S./FEM. THR. 32-1"	0,339	0,03129	10,73	30
1011163	PTFE BALL VALVE SOLV. S./FEM. THR. 40-1 1/4"	0,61535	0,03129	12,88	20
1011164	PTFE BALL VALVE SOLV. S./FEM. THR. 50-1 1/2"	0,8616	0,03129	13,497	15
1011165	PTFE BALL VALVE SOLV. S./FEM. THR. 63-2"	1,38258	0,03682	14,375	10
1011166	PTFE BALL VALVE SOLV. S./FEM. THR. 75-2 1/2"	2,67	0,03129	11,24	4
1011167	PTFE BALL VALVE SOLV. S./FEM. THR. 90-3"	4,38115	0,02244	9,25	2
1011168	PTFE BALL VALVE SOLV. S./FEM. THR. 110-4"	5,99	0,04460	12,82	2





## ITEM 212 | Plain/threaded outlet - PTFE - Basic System

CÓDIGO	f-r	DN	PESO (g)	A	B	C	D	E	F	G	PN	TIPO ROSCA
11160	20-1/2"	15	150	89	52	16	78	92	47	17	PN16	BSP
11161	25-3/4"	20	198	99	59	19	84	92	51	20	PN16	BSP
11162	32-1"	25	339	119	70	23	97	138	66	23	PN16	BSP
11163	40-1 1/4"	32	572	133	84	25	128	160	72	26	PN16	BSP
11164	50-1 1/2"	40	861	151	99	31	142	169	77	33	PN16	BSP
11165	63-2"	50	1382	167	121	38	165	188	90	29	PN16	BSP
11166	75-2 1/2"	65	2670	210	151	45	222	281	121	33	PN10	BSP
11167	90-3"	80	4381	245	175	51	244	301	141	36	PN10	BSP
11168	110-4"	100	5990	288	210	61	307	426	155	42	PN10	BSP



## Product Documents



## Product Certificates



## Company Certificates

