



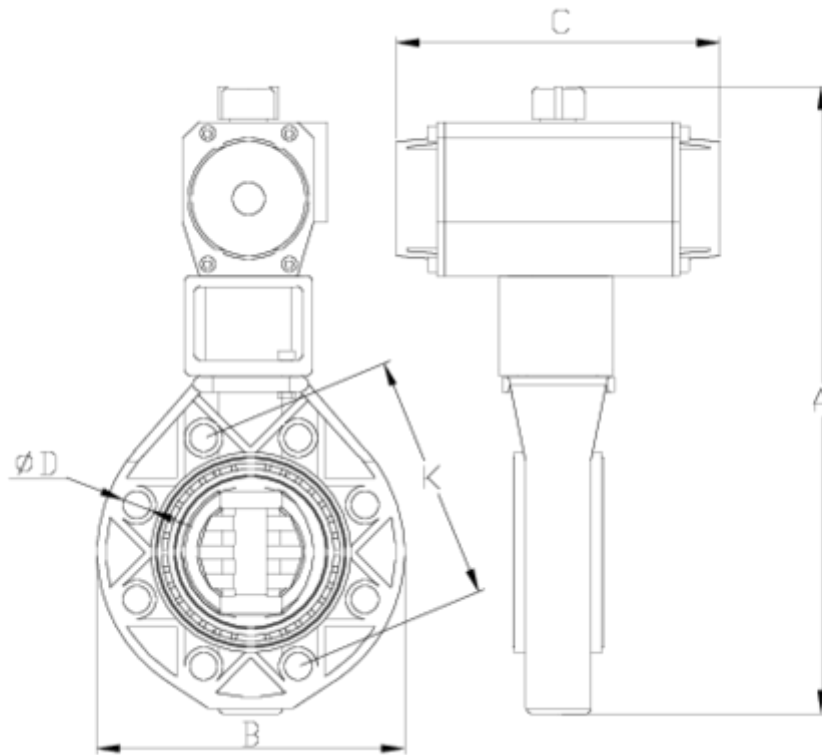
PVC-U pressure fittings

90° PVC TEE SOLVENT SOCKET-MALE THREAD WITH O-RING ITEM 204



REFERENCE	DESCRIPTION	Net weight	Volumen (m ³)	Gross weight	Unidades lote
1002424	TEE 90° PLAIN-MALE TH-PLAIN 50-1 1/2" W/O-RING	0,2244	0,03682	9,524	40
1002425	TEE 90° PLAIN-MALE TH-PLAIN 63-2" W/O-RING	0,342487	0,02244	5,625	15





ITEM 204 | 90° PVC TEE SOLVENT SOCKET-MALE THREAD WITH O-RING

CÓDIGO	A-a	PESO (g)	B	C	D	PN	MEDIDA
02424	50-1 1/2"	198	61	22	114	PN10	BSP
02425	63-2"	307	76	26	141	PN10	BSP



Product Documents



Product Certificates



Company Certificates

