

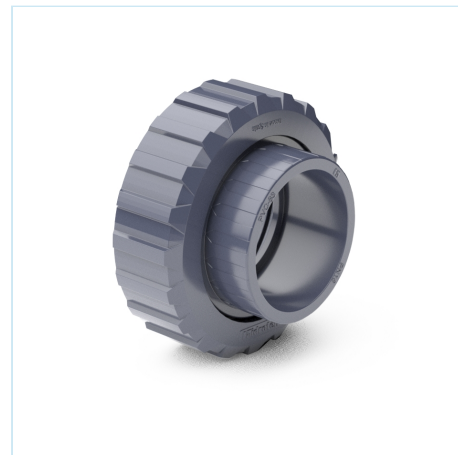


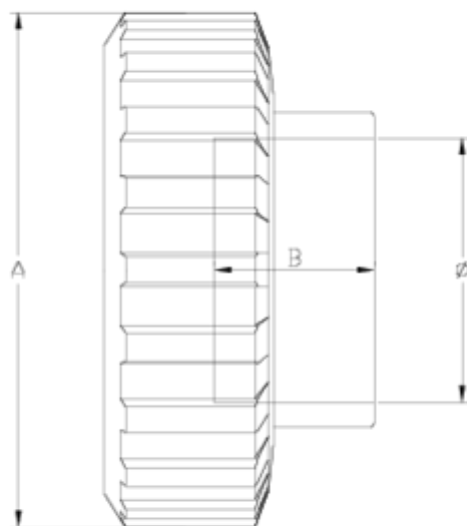
Spare parts

Solvent socket outlet

ITEM 638

REFERENCE	DESCRIPTION	Net weight	Volumen (m ³)	Gross weight	Unidades lote
111D801	BI-DIRECT. PLAIN END 20	0,036	0,00891	2,35	60
111D802	BI-DIRECT. PLAIN END 25	0,0484	0,00892	2,174	40
111D803	BI-DIRECT. PLAIN END 32	0,073222	0,01553	4,795	60
111D804	BI-DIRECT. PLAIN END 40	0,1217	0,01553	3,805	28
111D805	BI-DIRECT. PLAIN END 50	0,1896	0,02244	6,178	30
111D806	BI-DIRECT. PLAIN END 63	0,325	0,02244	8,28	24
111D807	PLAIN END 75	0,549	0,00891	2,386	4
111D808	BI-DIRECT. PLAIN END 90	0,913	0,01553	3,98	4





ITEM 638 | Solvent socket outlet

CÓDIGO	f	PESO (g)	DN	A	B	PN	MEDIDA
11D801	20	35	15	55	16	PN16	MÉTRICO
11D802	25	52	20	62	19	PN16	MÉTRICO
11D803	32	75	25	72	23	PN16	MÉTRICO
11D804	40	132	32	88	25	PN16	MÉTRICO
11D805	50	208	40	103	31	PN16	MÉTRICO
11D806	63	324	50	120	38	PN16	MÉTRICO
11D807	75	567	65	150	45	PN10	MÉTRICO
11D808	90	980	80	181	51	PN10	MÉTRICO



Product Documents



Product Certificates

Company Certificates

