

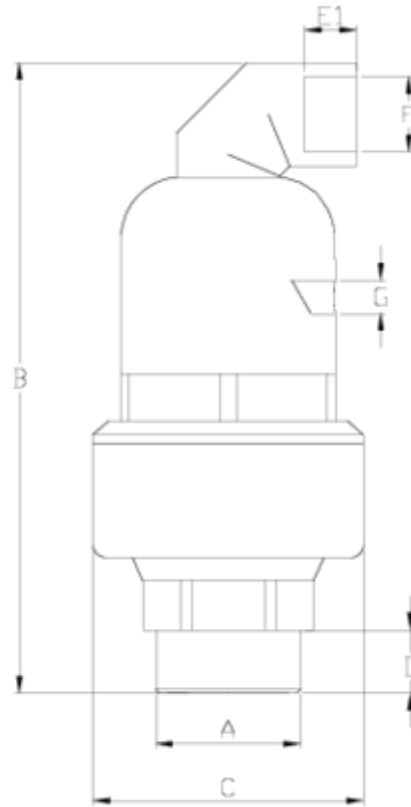


## Net air release valve

# Triple effect (D2) GRPP ITEM 442

REFERENCE	DESCRIPTION	Net weight	Volumen (m <sup>3</sup> )	Gross weight	Unidades lote
1017107	NET® AIR VALVE 3" PP TRIPLE EFFECT	1,0375	0,02244	6,713	6





## ITEM 442 | Triple effect (D2) GRPP

Código	f A	Peso (g)	B	C	D	E	F	G	Material	PN	TIPO ROSCA
17106	2"	1045	260	112	30	21	1"	3/8"	PPFV	PN16	BSP
17107	3"	1085	260	112	33	21	1"	3/8"	PPFV	PN16	BSP
17606	2"	1084	260	112	30	21	1"	3/8"	PA	PN25	BSP
17607	3"	1124	260	112	33	21	1"	3/8"	PA	PN25	BSP



## Product Documents



## Product Certificates

## Company Certificates

