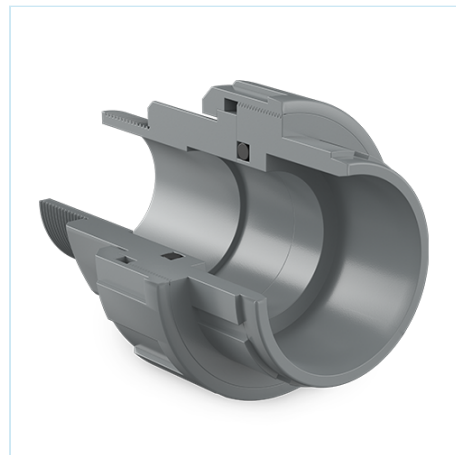


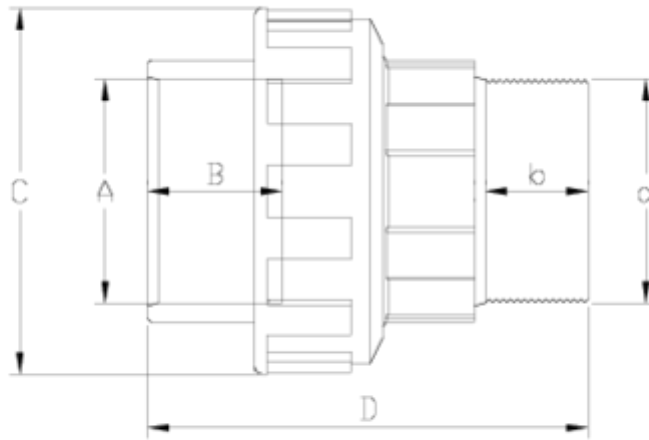


## PVC pressure fittings

# Union male thread socket plain ITEM 920

REFERENCE	DESCRIPTION	Net weight	Volumen (m <sup>3</sup> )	contenido.peso bruto	Unidades lote
1002358	ENLACE 3 PIEZAS M/ENC SR/M 32-1"	0.114	0.00891	2.92	24
1002360	ENLACE 3 PIEZAS M/ENC S/ R/M 50- 1 1/2"	0.236	0.08677	16.78	60
1002361	ENLACE 3 PIEZAS M/ENC S/R/M 63-2"	0.378	0.04460	9.77	24



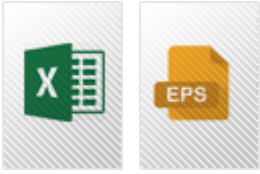


## ITEM 920 | Union male thread socket plain

Código	a-A	Peso (g)	B	b	C	D	PN	ROSCA
02358	1"-32	98	22	19	62	72	PN10	BSP
02360	1 1/2"-50	258	31	21	80	98	PN10	BSP
02361	2"-63	409	38	26	99	120	PN10	BSP



## Product Documents



## Product Certificates

## Company Certificates

