

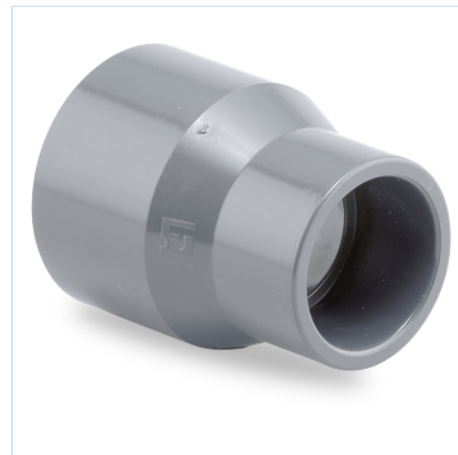


Accesorios de presión PVC-U

Reducción cónica

ITEM 023

| REFERENCIA | DESCRIPCIÓN | Peso neto | Volumen (m ³) | Peso bruto | Unidades lote |
|------------|----------------------------------|-----------|---------------------------|------------|---------------|
| 1001078 | REDUCCION CONICA 32/25/20 | 0,018876 | 0,00892 | 2,075 | 100 |
| 1001103 | REDUCCION CONICA 40/32/25 | 0,032383 | 0,01553 | 3,565 | 100 |
| 1001104 | REDUCCION CONICA 50/40/32 | 0,05869 | 0,01553 | 4,435 | 70 |
| 1001105 | REDUCCION CONICA 63/50/40 | 0,097208 | 0,01553 | 4,215 | 40 |
| 1001106 | REDUCCION CONICA 75/63/50 | 0,15454 | 0,03129 | 8,3 | 50 |
| 1001107 | REDUCCION CONICA 90/75/63 | 0,25986 | 0,03682 | 8,345 | 30 |
| 1001108 | REDUCCION CONICA 110/90/75 | 0,489813 | 0,03129 | 8,41 | 16 |
| 1001109 | REDUCCION CONICA 125/110/90 | 0,565819 | 0,06150 | 21,29 | 36 |
| 1001110 | REDUCCION CONICA 140/125/110 | 0,837156 | 0,06150 | 14,315 | 16 |
| 1001111 | REDUCCION CONICA 160/140/125 | 1,30081 | 0,06347 | 13,795 | 10 |
| 1001112 | REDUCCION CONICA 225/200/160 | 2,588275 | 0,06347 | 11,14 | 4 |
| 1001113 | REDUCCION CONICA EXT 200/INT 160 | 2,491125 | 0,04117 | 10,885 | 4 |
| 1001114 | REDUCCION CONICA 250/225/200 | 3,74755 | 0,04460 | 8,225 | 2 |
| 1001115 | REDUCCION CONICA 250/225/160 | 3,09725 | 0,06150 | 7,115 | 2 |
| 1001116 | REDUCCION CONICA 315/280/200 | 5,40415 | 0,08678 | 11,83 | 2 |
| 1001117 | REDUCCION CONICA 315/280/160 | 5,39915 | 0,08678 | 11,82 | 2 |
| 1001134 | REDUCCION CONICA 200/180/110 | 1,447375 | 0,06150 | 6,71 | 4 |
| 1001135 | REDUCCION CONICA 200/180/125 | 1,522375 | 0,04117 | 6,73 | 4 |
| 1001136 | REDUCCION CONICA 200/180/140 | 1,572375 | 0,04117 | 7,985 | 4 |
| 1001138 | REDUCCION CONICA 225/200/140 | 2,375775 | 0,06347 | 10,29 | 4 |
| 1001139 | REDUCCION CONICA 225/200/125 | 2,284525 | 0,06347 | 9,925 | 4 |
| 1001321 | REDUCCION CONICA 40/32/20 | 0,027433 | 0,01553 | 3,07 | 100 |
| 1001322 | REDUCCION CONICA 50/40/20 | 0,046404 | 0,01553 | 3,575 | 70 |



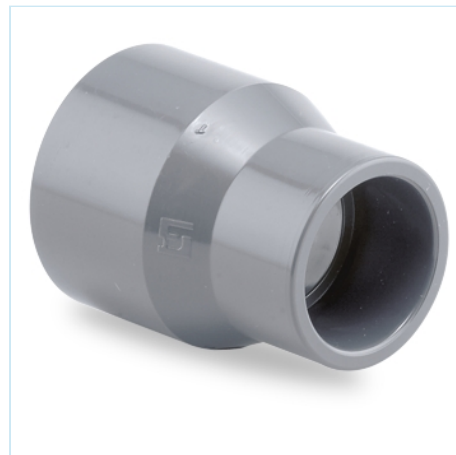


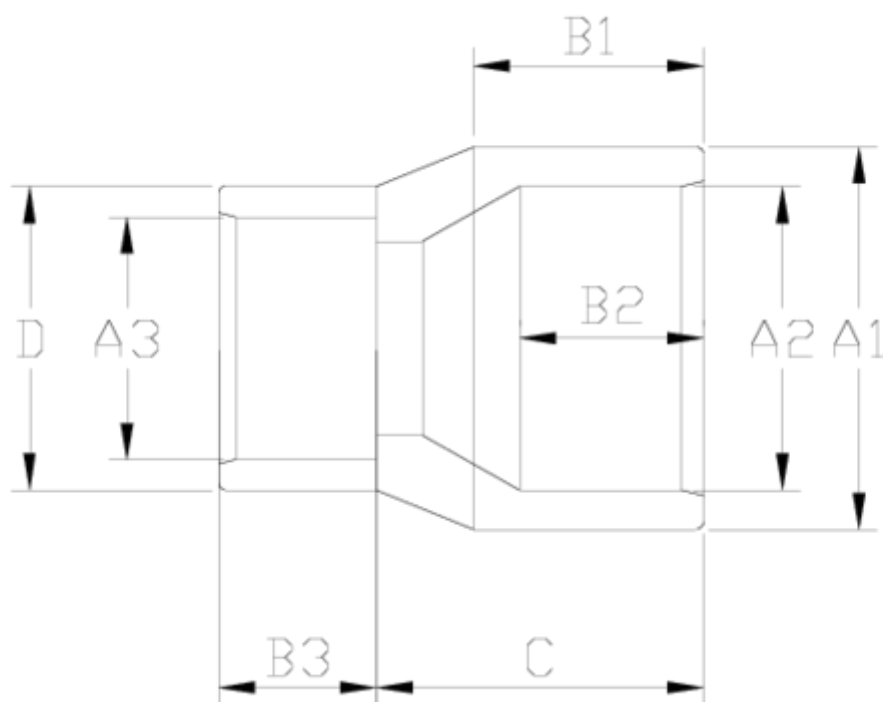
Accesorios de presión PVC-U

Reducción cónica

ITEM 023

| REFERENCIA | DESCRIPCIÓN | Peso neto | Volumen (m ³) | contenido.Peso bruto | Unidades lote |
|------------|------------------------------|-----------|---------------------------|----------------------|---------------|
| 1001323 | REDUCCION CONICA 50/40/25 | 0,051976 | 0,01553 | 3,965 | 70 |
| 1001324 | REDUCCION CONICA 63/50/25 | 0,088958 | 0,01553 | 3,885 | 40 |
| 1001325 | REDUCCION CONICA 63/50/32 | 0,095708 | 0,01553 | 4,155 | 40 |
| 1001326 | REDUCCION CONICA 75/63/32 | 0,12324 | 0,03129 | 6,735 | 50 |
| 1001327 | REDUCCION CONICA 75/63/40 | 0,13344 | 0,03129 | 7,245 | 50 |
| 1001328 | REDUCCION CONICA 90/75/40 | 0,202027 | 0,03129 | 6,61 | 30 |
| 1001329 | REDUCCION CONICA 90/75/50 | 0,219693 | 0,03129 | 7,14 | 30 |
| 1001330 | REDUCCION CONICA 110/90/50 | 0,388269 | 0,02244 | 6,7 | 16 |
| 1001331 | REDUCCION CONICA 110/90/63 | 0,425144 | 0,02457 | 7,29 | 16 |
| 1001332 | REDUCCION CONICA 125/110/63 | 0,439014 | 0,06150 | 16,725 | 36 |
| 1001333 | REDUCCION CONICA 125/110/75 | 0,498597 | 0,06150 | 18,87 | 36 |
| 1001334 | REDUCCION CONICA 140/125/75 | 0,628325 | 0,04717 | 10,695 | 16 |
| 1001335 | REDUCCION CONICA 140/125/90 | 0,670825 | 0,04717 | 11,375 | 16 |
| 1001336 | REDUCCION CONICA 160/140/90 | 0,92749 | 0,04836 | 9,94 | 10 |
| 1001337 | REDUCCION CONICA 160/140/110 | 1,11949 | 0,04836 | 11,86 | 10 |





ITEM 023 | Reducción cónica

| Codigo | A1/A2/A3 | Peso (g) | B1 | B2 | B3 | C | D | PN | MEDIDA |
|--------|----------|----------|----|----|----|----|----|------|---------|
| 01078 | 32/25/20 | 19 | 22 | 19 | 16 | 30 | 27 | PN16 | MÉTRICO |
| 01321 | 40/32/20 | 28 | 26 | 22 | 17 | 34 | 27 | PN16 | MÉTRICO |
| 01103 | 40/32/25 | 33 | 26 | 22 | 19 | 36 | 33 | PN16 | MÉTRICO |
| 01322 | 50/40/20 | 48 | 31 | 26 | 16 | 45 | 27 | PN16 | MÉTRICO |
| 01323 | 50/40/25 | 53 | 31 | 26 | 19 | 44 | 33 | PN16 | MÉTRICO |
| 01104 | 50/40/32 | 58 | 31 | 26 | 22 | 44 | 41 | PN16 | MÉTRICO |
| 01324 | 63/50/25 | 90 | 38 | 31 | 19 | 54 | 33 | PN16 | MÉTRICO |
| 01325 | 63/50/32 | 97 | 38 | 31 | 22 | 42 | 41 | PN16 | MÉTRICO |
| 01105 | 63/50/40 | 107 | 38 | 31 | 26 | 54 | 50 | PN16 | MÉTRICO |
| 01326 | 75/63/32 | 112 | 44 | 38 | 22 | 62 | 41 | PN16 | MÉTRICO |



ITEM 023 | Reducción cónica

| | | | | | | | | | |
|-------|-----------------|------|-----|-----|-----|-----|-----|------|---------|
| 01327 | 75/36/40 | 125 | 44 | 38 | 26 | 64 | 50 | PN16 | MÉTRICO |
| 01106 | 75/63/50 | 148 | 44 | 38 | 31 | 62 | 61 | PN16 | MÉTRICO |
| 01328 | 90/75/40 | 197 | 51 | 44 | 27 | 75 | 50 | PN16 | MÉTRICO |
| 01329 | 90/75/50 | 220 | 51 | 44 | 31 | 75 | 61 | PN16 | MÉTRICO |
| 01107 | 90/75/63 | 256 | 51 | 44 | 38 | 74 | 76 | PN16 | MÉTRICO |
| 01330 | 110/90/50 | 389 | 61 | 51 | 29 | 90 | 61 | PN16 | MÉTRICO |
| 01331 | 110/90/63 | 428 | 61 | 51 | 38 | 90 | 75 | PN16 | MÉTRICO |
| 01108 | 110/90/75 | 489 | 61 | 51 | 44 | 88 | 90 | PN16 | MÉTRICO |
| 01332 | 125/110/63 | 426 | 69 | 61 | 38 | 101 | 75 | PN16 | MÉTRICO |
| 01333 | 125/110/75 | 497 | 69 | 61 | 44 | 100 | 90 | PN16 | MÉTRICO |
| 01109 | 125/110/90 | 523 | 69 | 61 | 51 | 100 | 108 | PN16 | MÉTRICO |
| 01334 | 140/125/75 | 641 | 76 | 69 | 44 | 111 | 90 | PN16 | MÉTRICO |
| 01335 | 140/125/90 | 657 | 76 | 69 | 51 | 112 | 105 | PN16 | MÉTRICO |
| 01110 | 140/125/110 | 845 | 76 | 69 | 61 | 111 | 131 | PN16 | MÉTRICO |
| 01336 | 160/140/90 | 918 | 86 | 76 | 51 | 126 | 105 | PN10 | MÉTRICO |
| 01337 | 160/140/110 | 1145 | 86 | 76 | 61 | 126 | 131 | PN10 | MÉTRICO |
| 01111 | 160/140/125 | 1288 | 86 | 76 | 69 | 126 | 148 | PN10 | MÉTRICO |
| 01113 | EXT 200/INT 160 | 2540 | 106 | NO | 86 | 156 | 182 | PN10 | MÉTRICO |
| 01134 | 200/180/110 | 1890 | 106 | 100 | 61 | 154 | 131 | PN10 | MÉTRICO |
| 01135 | 200/180/125 | 1920 | 106 | 100 | 69 | 154 | 148 | PN10 | MÉTRICO |
| 01136 | 200/180/140 | 1980 | 106 | 100 | 76 | 154 | 157 | PN10 | MÉTRICO |
| 01139 | 225/200/125 | 2430 | 119 | 106 | 69 | 171 | 148 | PN10 | MÉTRICO |
| 01138 | 225/200/140 | 2480 | 119 | 106 | 76 | 171 | 157 | PN10 | MÉTRICO |
| 01112 | 225/200/160 | 2567 | 119 | 106 | 86 | 171 | 182 | PN10 | MÉTRICO |
| 01114 | 250/225/200 | 4975 | 131 | 119 | 106 | 194 | 225 | PN10 | MÉTRICO |
| 01115 | 250/225/160 | 4345 | 131 | 119 | 86 | 194 | 182 | PN10 | MÉTRICO |

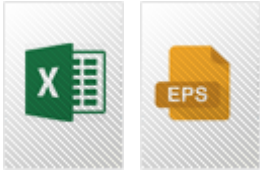


ITEM 023 | Reducción cónica

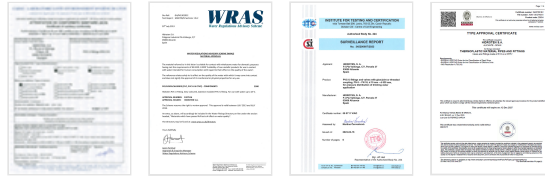
| | | | | | | | | | |
|-------|-------------|------|-----|-----|-----|-----|-----|------|---------|
| 01116 | 315/280/200 | 8690 | 164 | 131 | 106 | 233 | 225 | PN10 | MÉTRICO |
| 01117 | 315/280/160 | 8075 | 164 | 131 | 86 | 233 | 182 | PN10 | MÉTRICO |



Documentación de Producto



Certificados de Producto



Certificados de Empresa

