

DOUBLE EFFECT AIR RELEASE VALVES ASSEMBLY INSTRUCTION MANUAL



INTRODUCTION

Hidroten introduces the ASSEMBLY AND DISASSEMBLY MANUAL of the **double effect air release valve 2" D2 model**, which will help you to correctly perform the cleaning process and the reassembling of the buoys and gaskets.

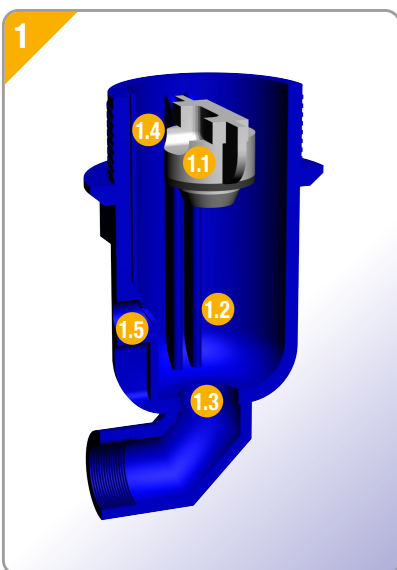
We recommend the use the "AIR" fittings range for a correct assembly to avoid drilling the pipes, and placing a ball valve before the air release valve, which will allow you to repair and perform maintenance tasks without shutting down the installation. The ball valve must always be placed vertically and at the top of the pipe.

The air release valve is considered as an equipment of auto-operation, so it requires regular maintenance. The latter consists of cleaning the internal parts and checking the correct state of the floaters and sealing gaskets.

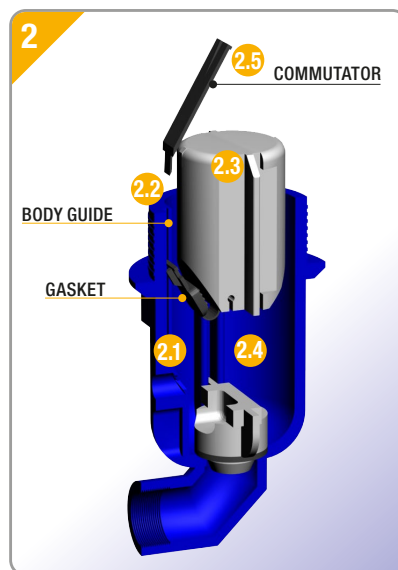


www.hidroten.es
comercial@hidroten.es
export@hidroten.es
publicidad@hidroten.es

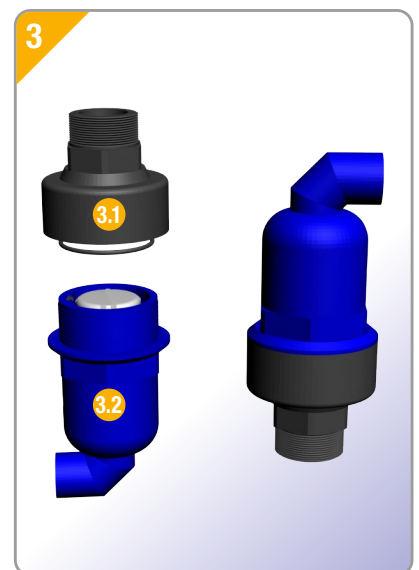
ASSEMBLY/DISASSEMBLY



1. We must always insert the small buoy along with the gasket (1.1) on the body guide (1.2) making sure that the bottom hole gets blocked (1.3), the buoy hollowed part (1.4) facing the body guide (1.5).



2. Introduce the gasket (2.1) in the body guide (2.2). Introduce the buoy (2.3) in the body guides (2.4) along with the commutator entrance (2.5) in the body guide (2.2), preventing the gasket from slipping out of the guide (2.2).



3. Thread the base (3.1) with the body (3.2), with its O-ring gasket. When the process finish, the air release valve will be ready to work at full capacity.